



RC-CUBBY-X30™ Cubby Wall Mount for Poly Studio X30

INCLUDED PART LIST

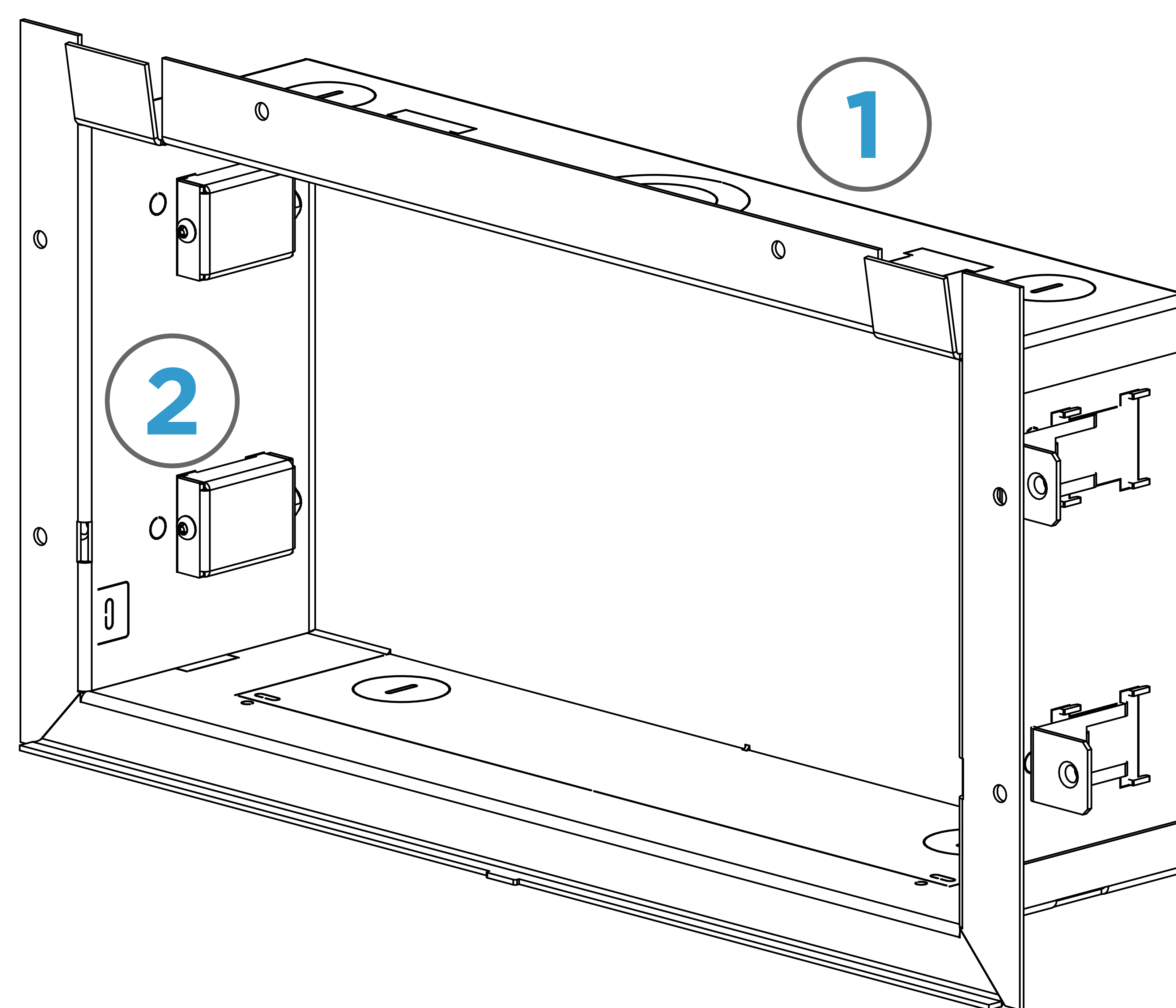
- No. 1** Cubby Backbox, 804-1147 (Qty 1)
- No. 2** Wall Clamps, 800-1107 (Qty 4)
- No. 3** Camera Plate, 824-1109 (Qty 1)
- No. 4** Wire Cover, 825-1109 (Qty 1)
- No. 5** Cubby Split Face Plate Bottom, 806-1147 (Qty 1)
- No. 6** Cubby Split Face Plate Top, 807-1147 (Qty 1)
- No. 7** 1/4-20 Thumb Screw, 860-00043 (Qty 1)

PARTS NOT INCLUDED

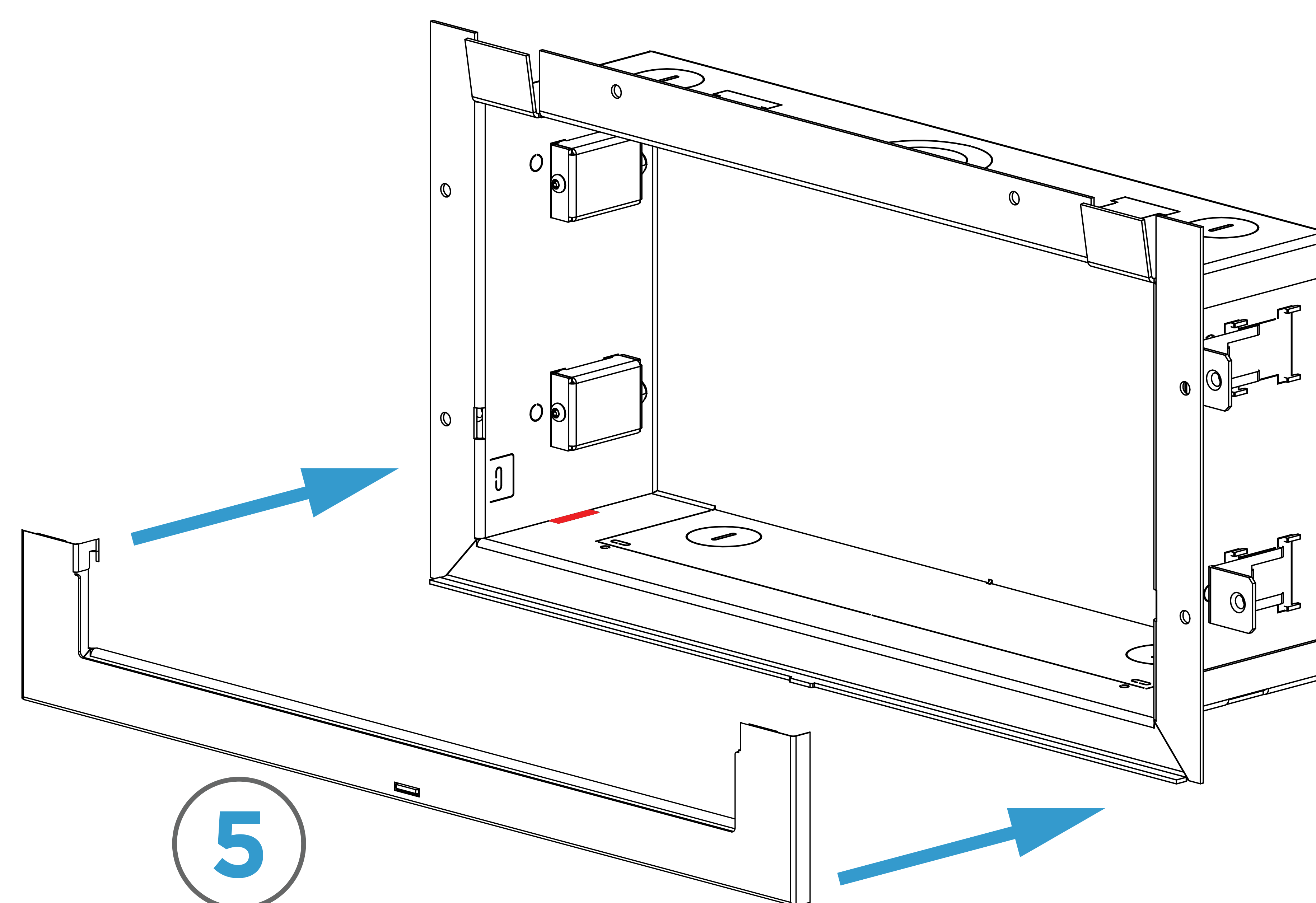
- No. 8** Poly Studio X30 (Qty 1)

ASSEMBLY INSTRUCTIONS

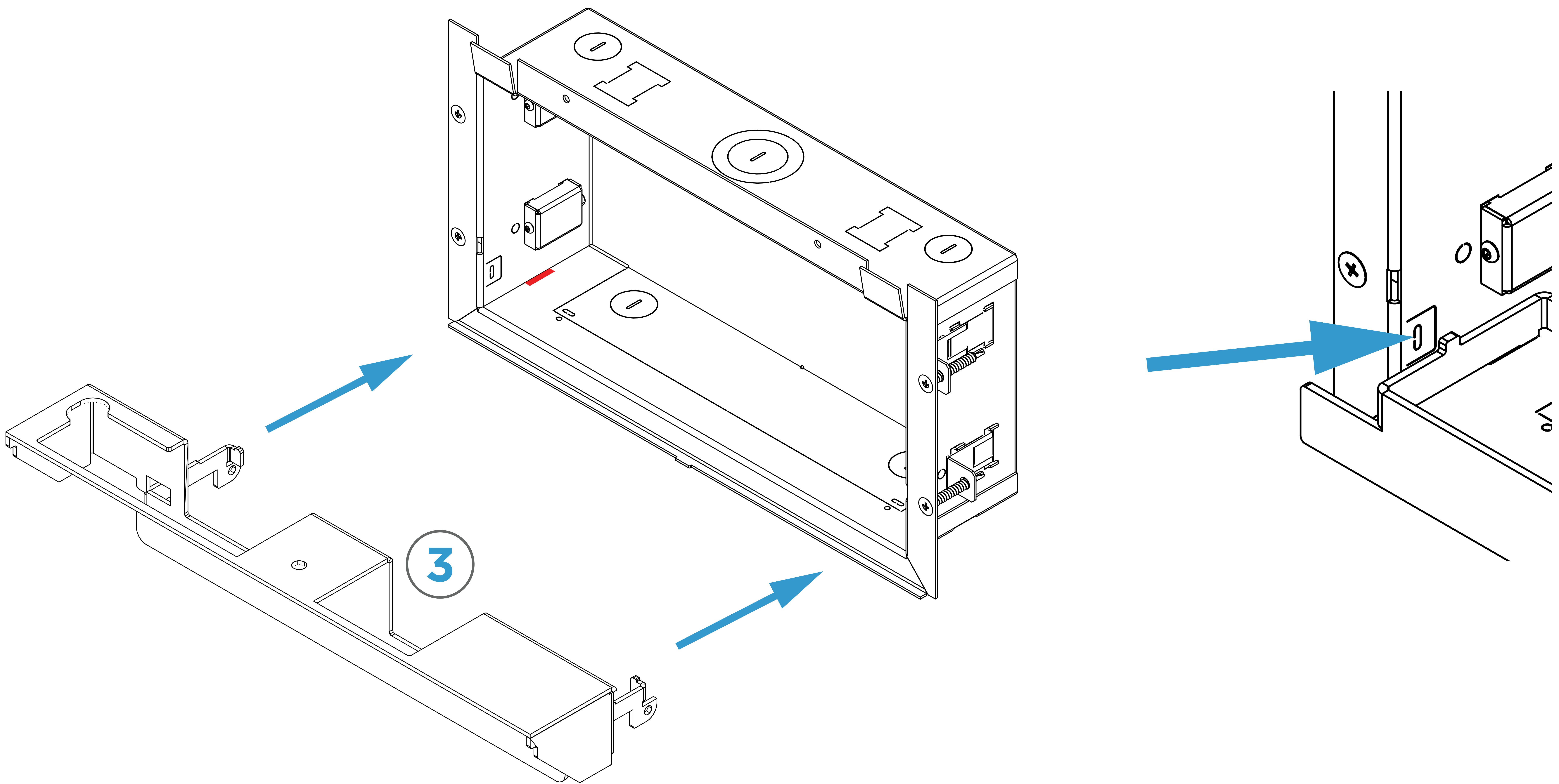
STEP 1: Install Cubby Backbox (No. 1, Qty 1) into wall opening with Wall Clamps (No. 2, Qty 4). For detailed instructions refer to the RC-CUBBY Installation Guide on www.soundcontrol.net.



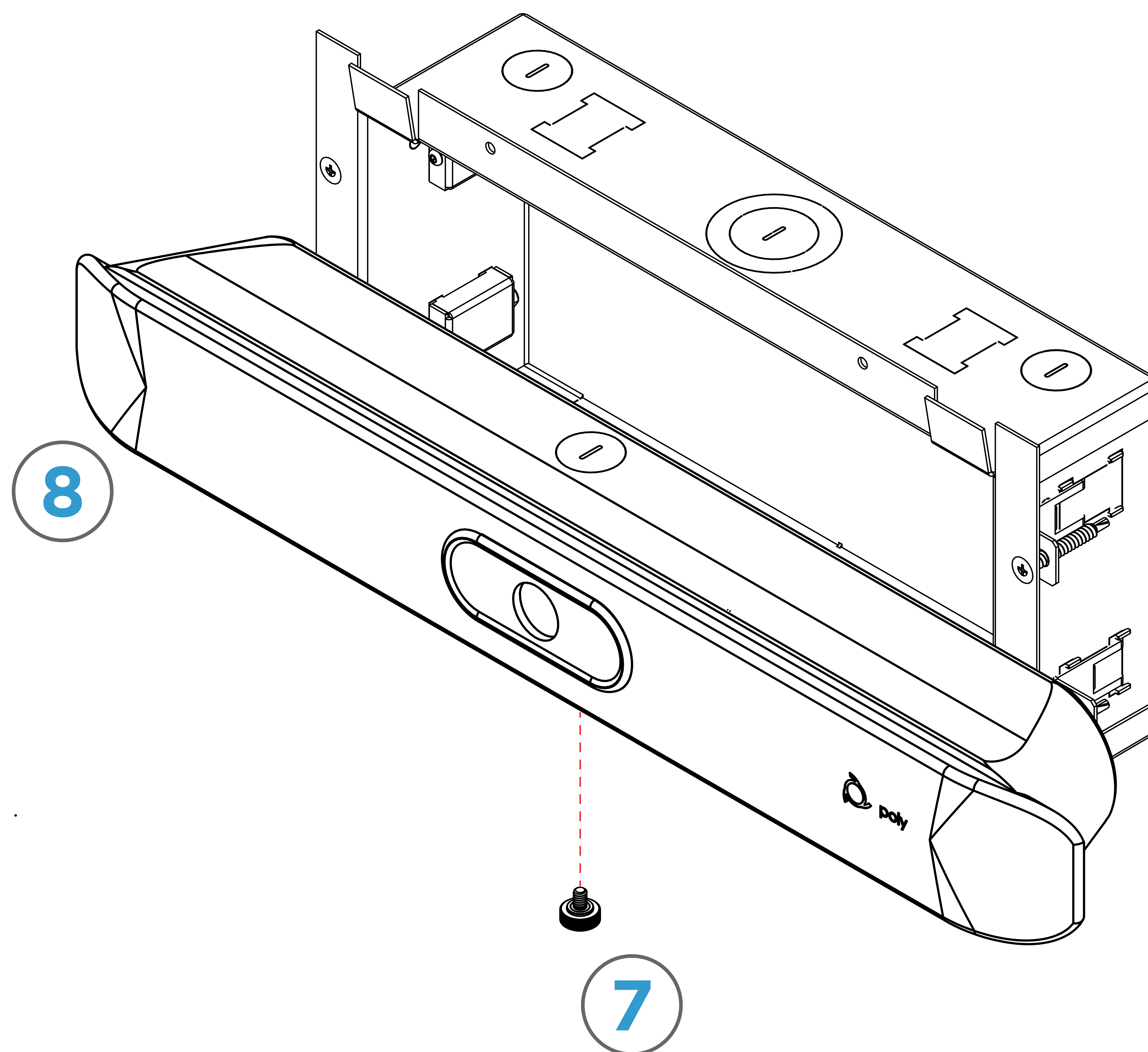
STEP 2: Hook Cubby Split Face Bottom (No. 5, Qty 1) into slots of Backbox.



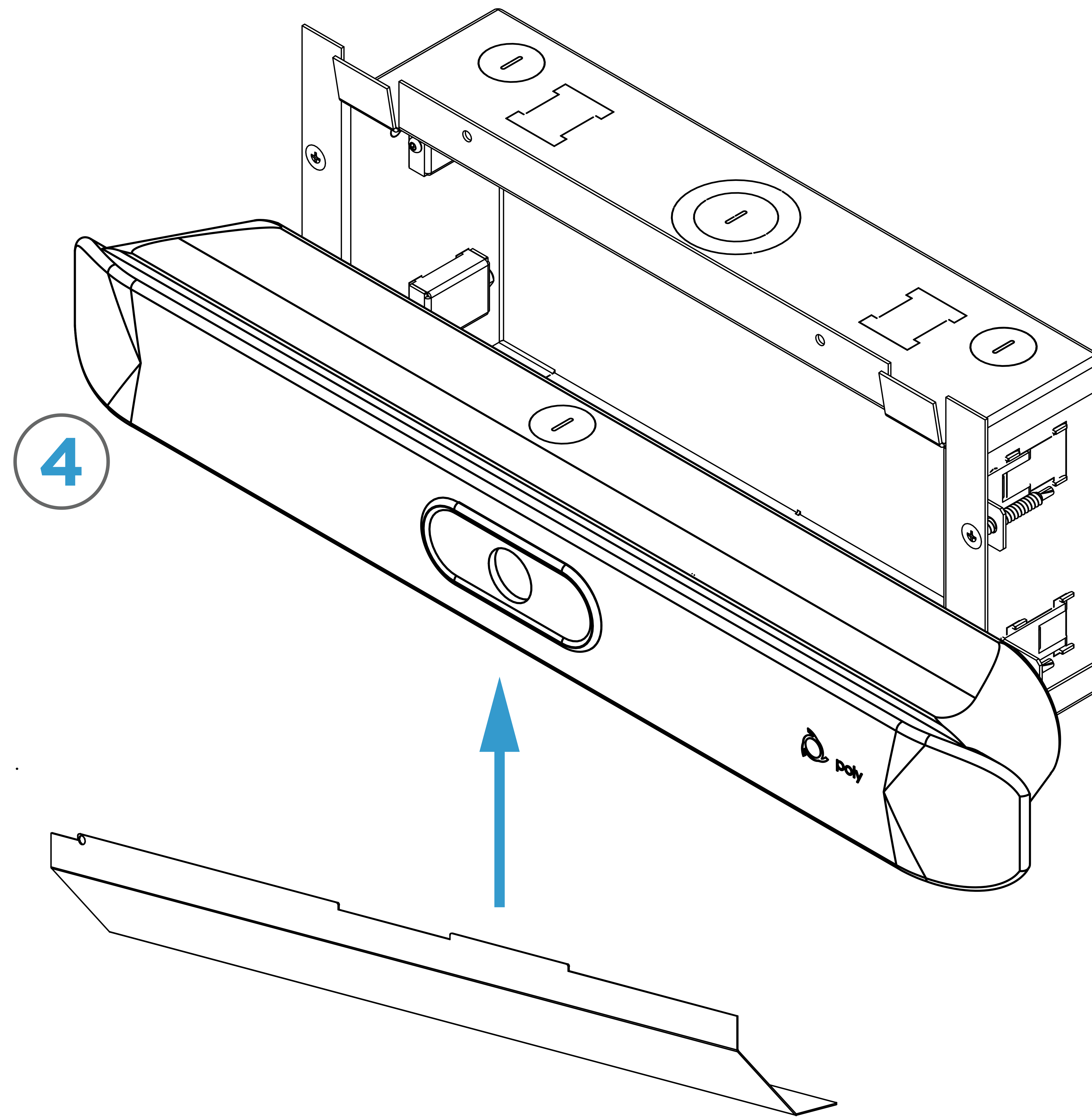
STEP 3: Slide Camera Plate (No. 3, Qty 1) down into Cubby slots (shown in red) and push forward to engage. Then pry tabs inward to lock Camera Plate in place.



STEP 4: Attach Poly Studio X30 (No. 8, Qty 1) to Camera Plate using 1/4-20 Thumb Screw (No. 7, Qty 1).



STEP 5: Snap Wire Cover (No. 4, Qty 1) onto bottom of Camera Plate.



STEP 6: Slide Cubby Face Plate top (No. 6, Qty 1) down onto tabs in Cubby Backbox.

