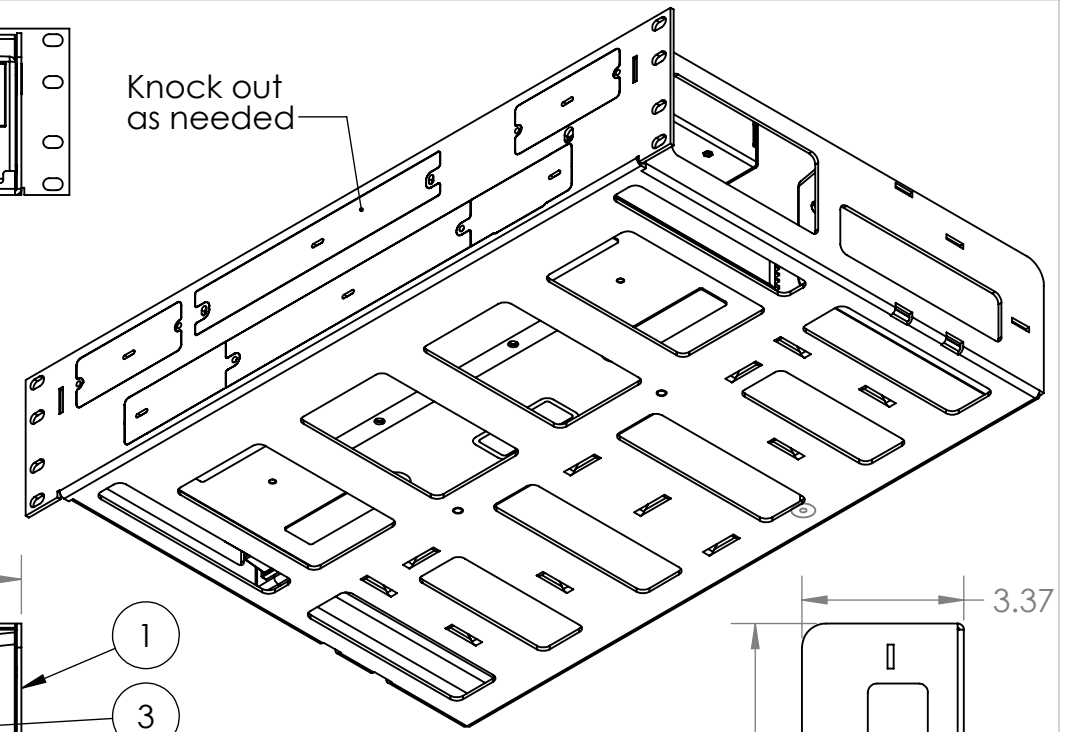
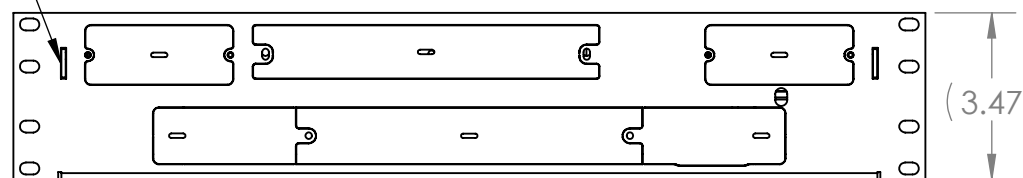
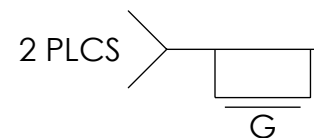
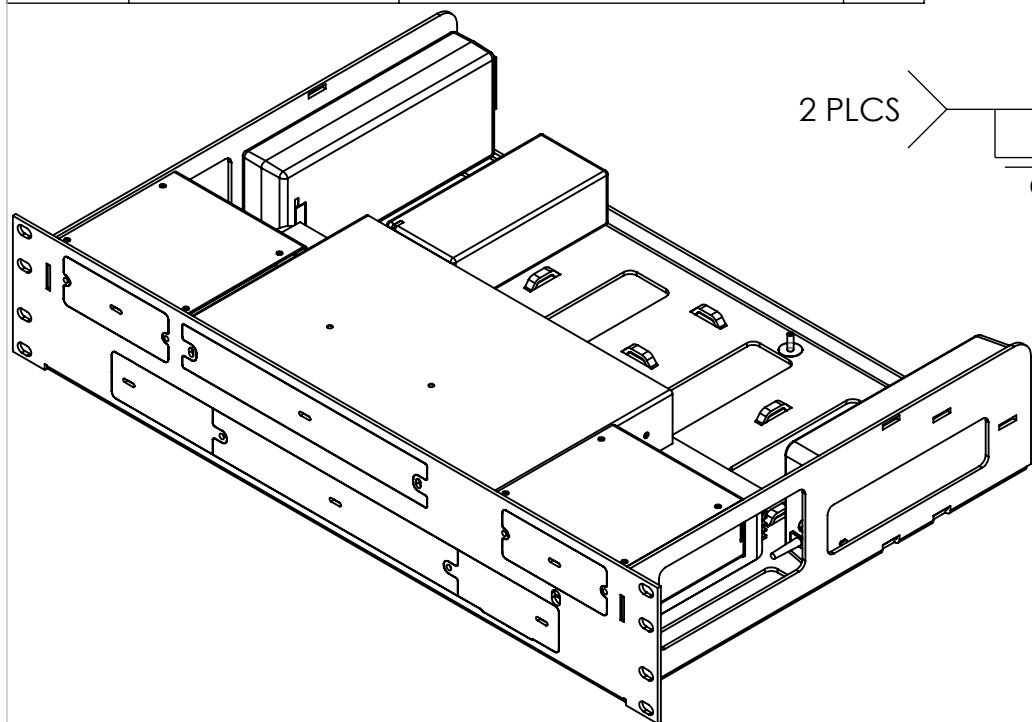
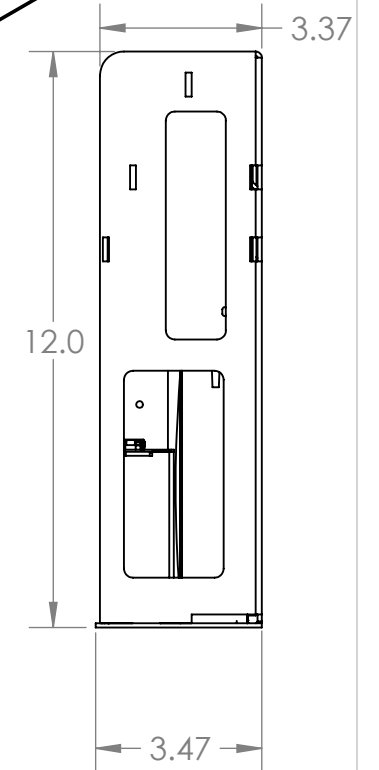
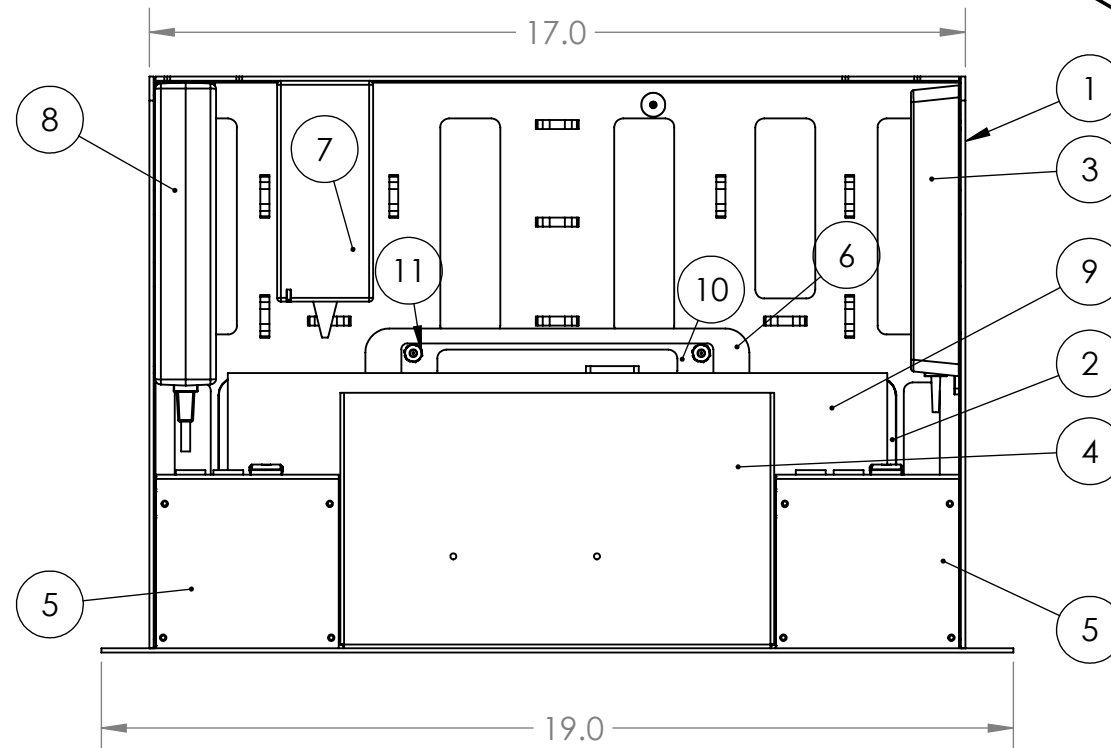


Knock out
as needed



ITEM NO.	PART NUMBER	DESCRIPTION	QTY.
1	801-1124	Cisco Codec Plus/Polycom G7500 Codec RC-RKM Rack Shelf	1
2	CISCO CODEC PLUS	CISCO CODEC PLUS	1
3	PS-Ciscoadf019	Power Supply	1
4	RC8-Rx	Head End for RC8-HE-Rx	1
5	RC05-HE-ASSY	RC05-HE-Assy +.050	2
6	804-1124	Retaining Plate Cisco Codec Plus	1
7	WPS-12 30v	Power Supply	1
8	GM130-48v	Power Supply 48V 2.5A	1
9	G7500 Poly Codec	Polycom Codec G7500	1
10	803-1124	Retaining Plate G7500 PolyCodec	1
11	90675A009	#8-32 Kepsnut	2



This is a Reference Drawing **ONLY!**
IT is fully over loaded to show posable
Configurations
Item #4 RC6 or RC7

PROPRIETARY AND CONFIDENTIAL
THE INFORMATION CONTAINED IN THIS
DRAWING IS THE SOLE PROPERTY OF
Sound Control Tech. ANY
REPRODUCTION IN PART OR AS A WHOLE
WITHOUT THE WRITTEN PERMISSION OF
Sound Control Tech. IS PROHIBITED.

UNLESS OTHERWISE SPECIFIED:
DIMENSIONS ARE IN INCHES
TOLERANCES:
FRACTIONAL ± 1/32"
ANGULAR: MACH ±.5 BEND ±1
TWO PLACE DECIMAL ±.02
THREE PLACE DECIMAL ±.010
INTERPRET GEOMETRIC
TOLERANCING PER:
MATERIAL
FINISH
DO NOT SCALE DRAWING

NAME	DATE
DRAWN	G.E.G. 11/11/2020
CHECKED	
ENG APPR.	
MFG APPR.	
Q.A.	
COMMENTS:	

SCT Sound Control Technologies
22 South Smith Street
Norwalk, CT 06855
(203) 854-5701
www.soundcontrol.net

TITLE: **RC-RKM Rack Shelf-Universal**

SIZE B	DWG. NO. 800-1124	REV
SCALE: 1:4	WEIGHT:	SHEET 1 OF 1