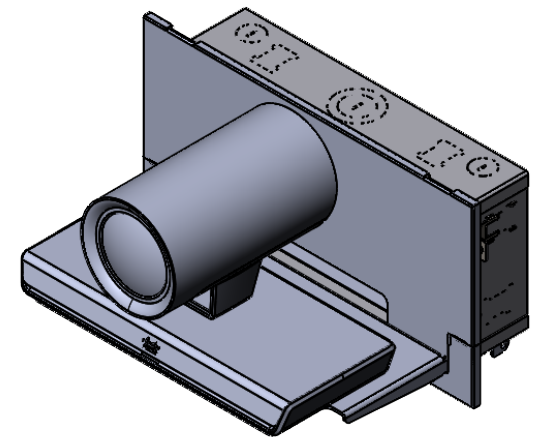
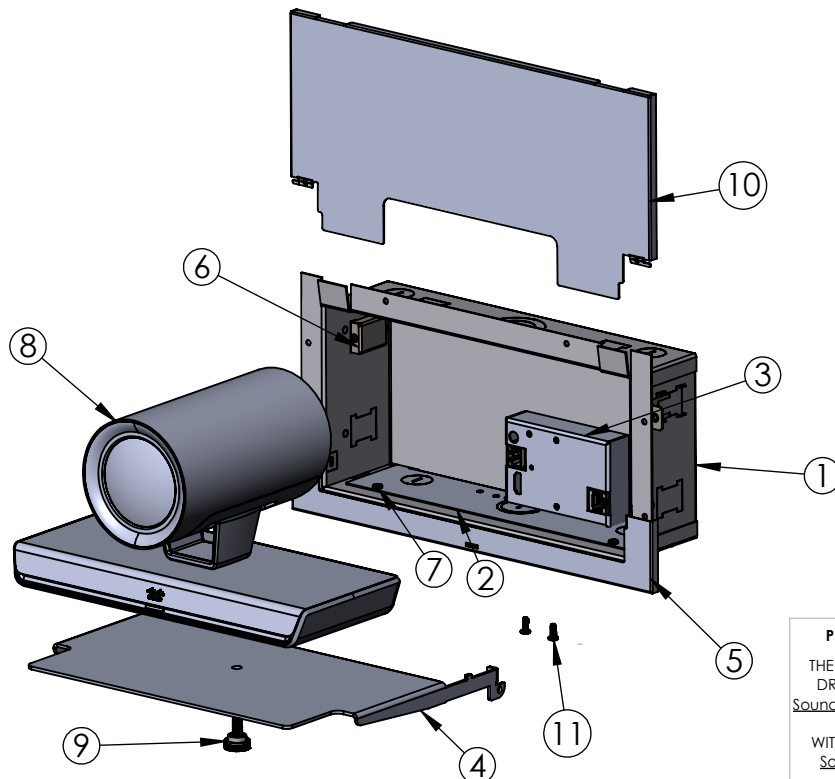
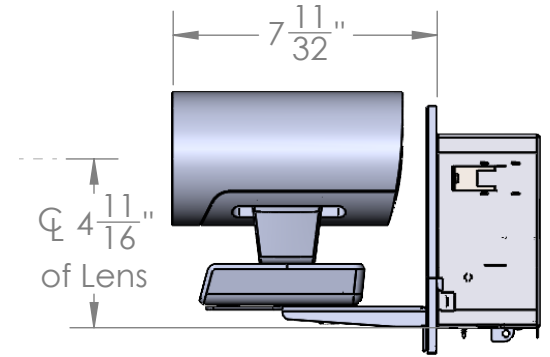
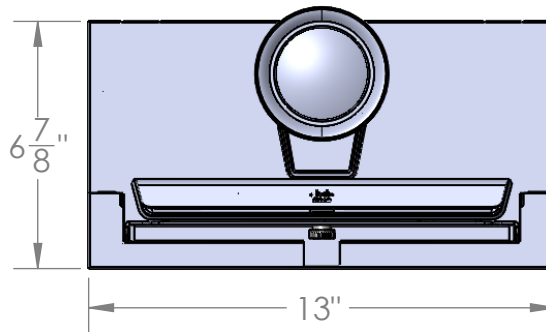
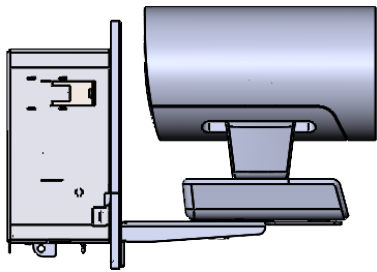


ITEM NO.	PART NUMBER	DESCRIPTION	QTY.
1	804-1147	Cubby Backbox	1
2	816-1109	Cubby Adapter Plate	1
3	RC-5	RC5-CE	1
4	819-1109	Cubby Camera Plate for Cisco Precision 60	1
5	806-1147	Cubby FP01 Split Face Plate Bottom	1
6	800-1107	Wall Clamp Assy.	4
7	94060A146	#6x3/8" Pan Head Phillips Drilling Screw	2
8	Cisco P.P. 60	Camera	1
9	92965A537	1/4"-20 Thumb Screw 18mm Head 1/2"Lg.	1
10	805-1147	Cubby FP03 Split Face Plate Top	1
11	91249A146	#6-32x 3/8" Button Head Phillips Machine Screw	2




Sound Control Technologies
 22 South Smith Street
 Norwalk, CT 06855
 (203) 854-5701
www.soundcontrol.net

TITLE:
RC-Cubby P60

PROPRIETARY AND CONFIDENTIAL
 THE INFORMATION CONTAINED IN THIS DRAWING IS THE SOLE PROPERTY OF Sound Control Tech. ANY REPRODUCTION IN PART OR AS A WHOLE WITHOUT THE WRITTEN PERMISSION OF Sound Control Tech. IS PROHIBITED.

SIZE	DWG. NO.	REV
A	800-1109-CP60	
G.E.G.	7/19/2022	SHEET 1 OF 1