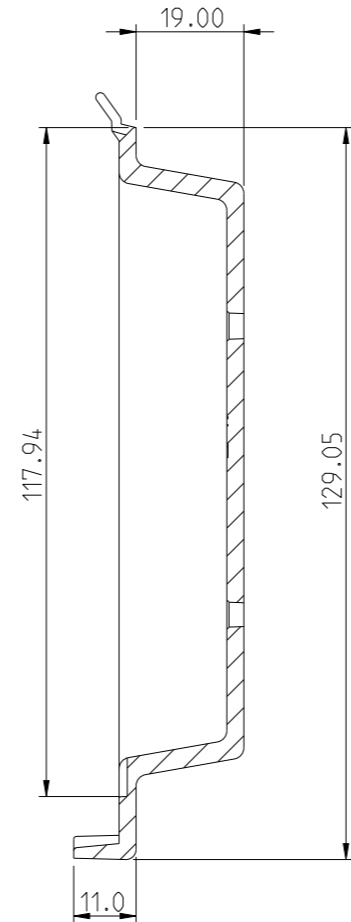
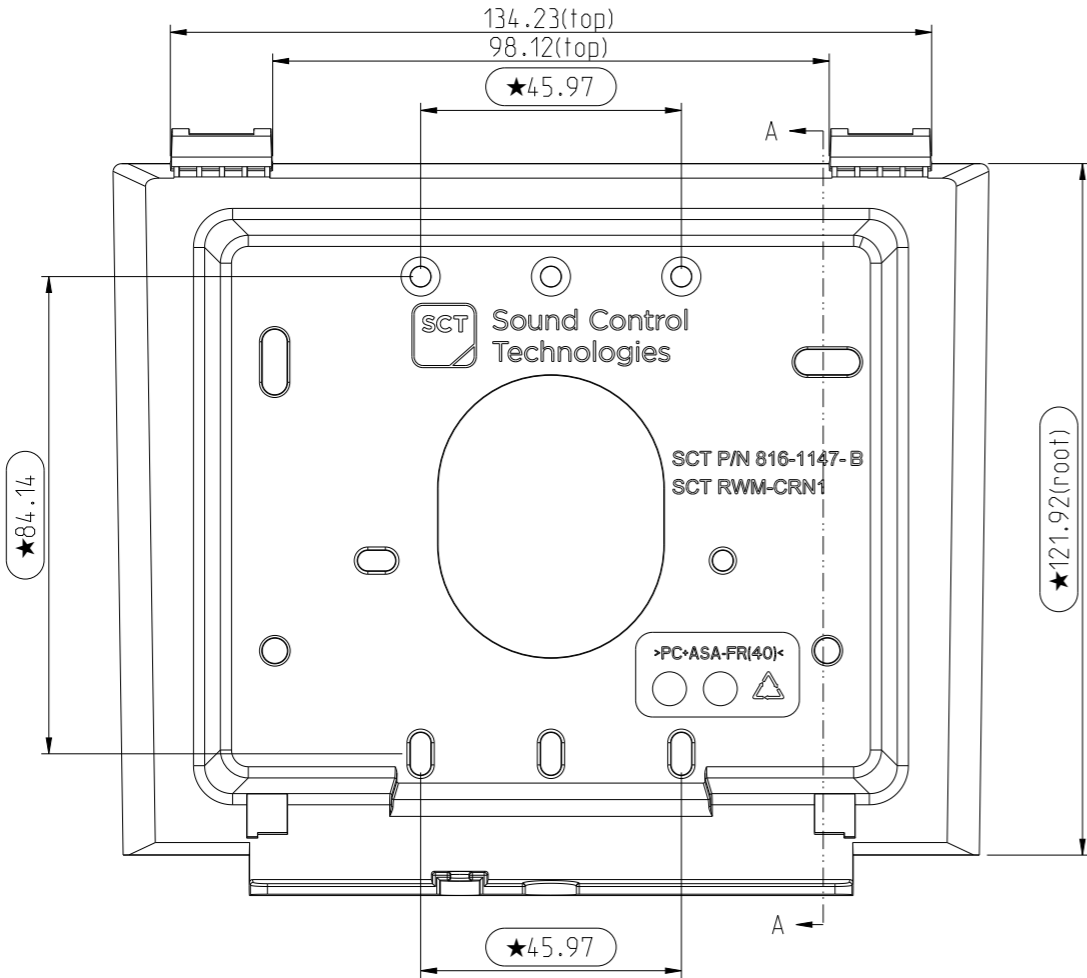
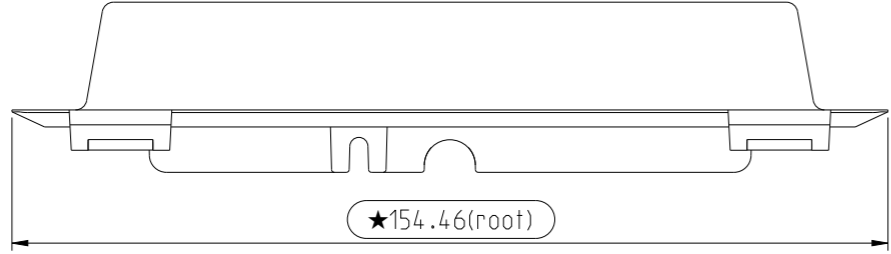
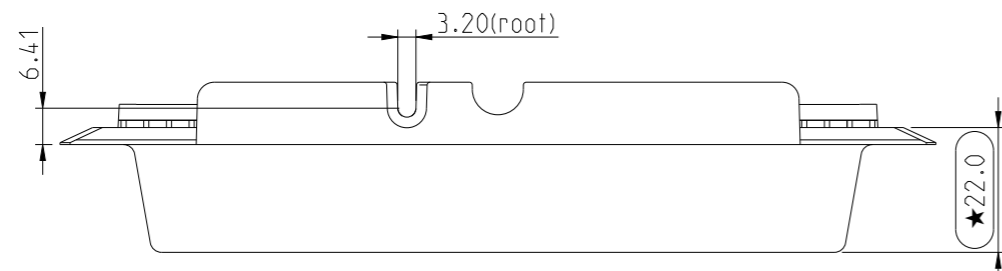
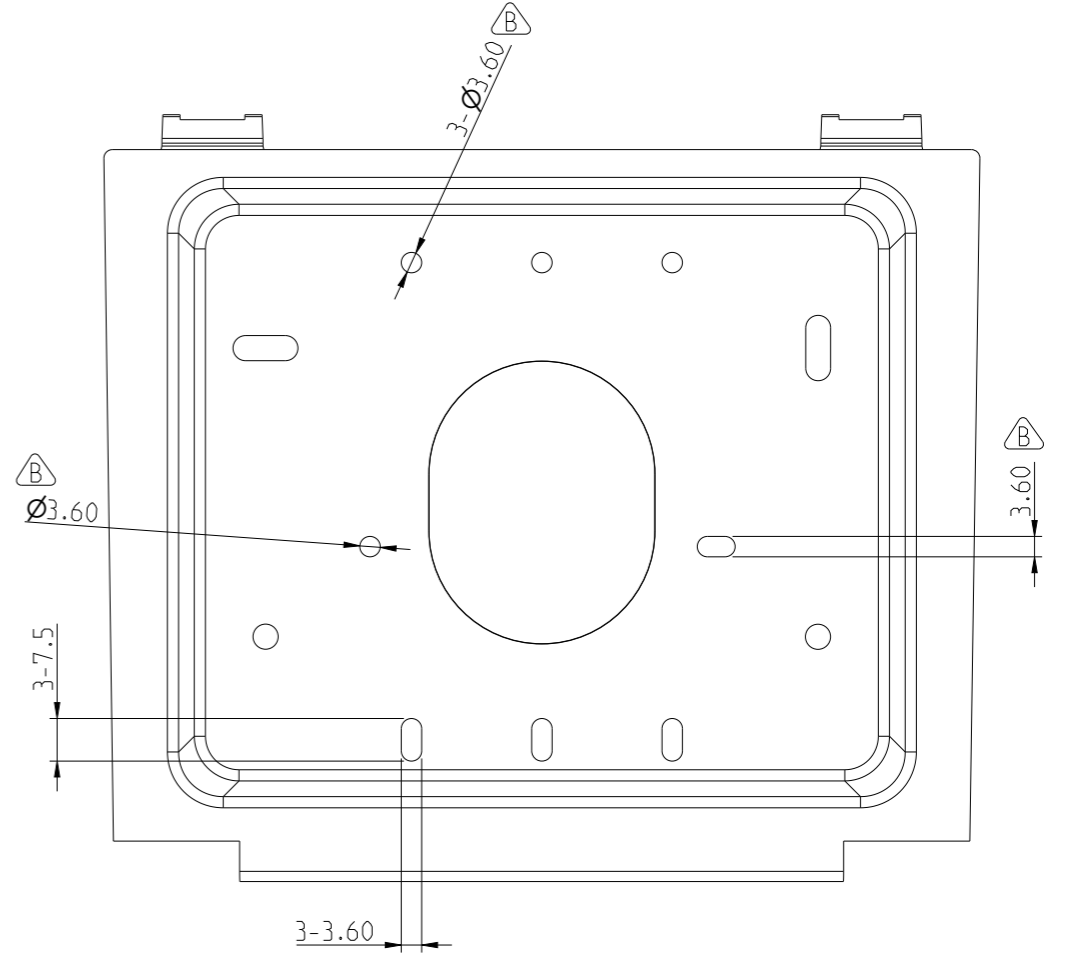


REVISIONS			
REV.	DESCRIPTION	DATE	APPROVED
B	enlarge the gang box holes	24/09/18	



SECTION A-A

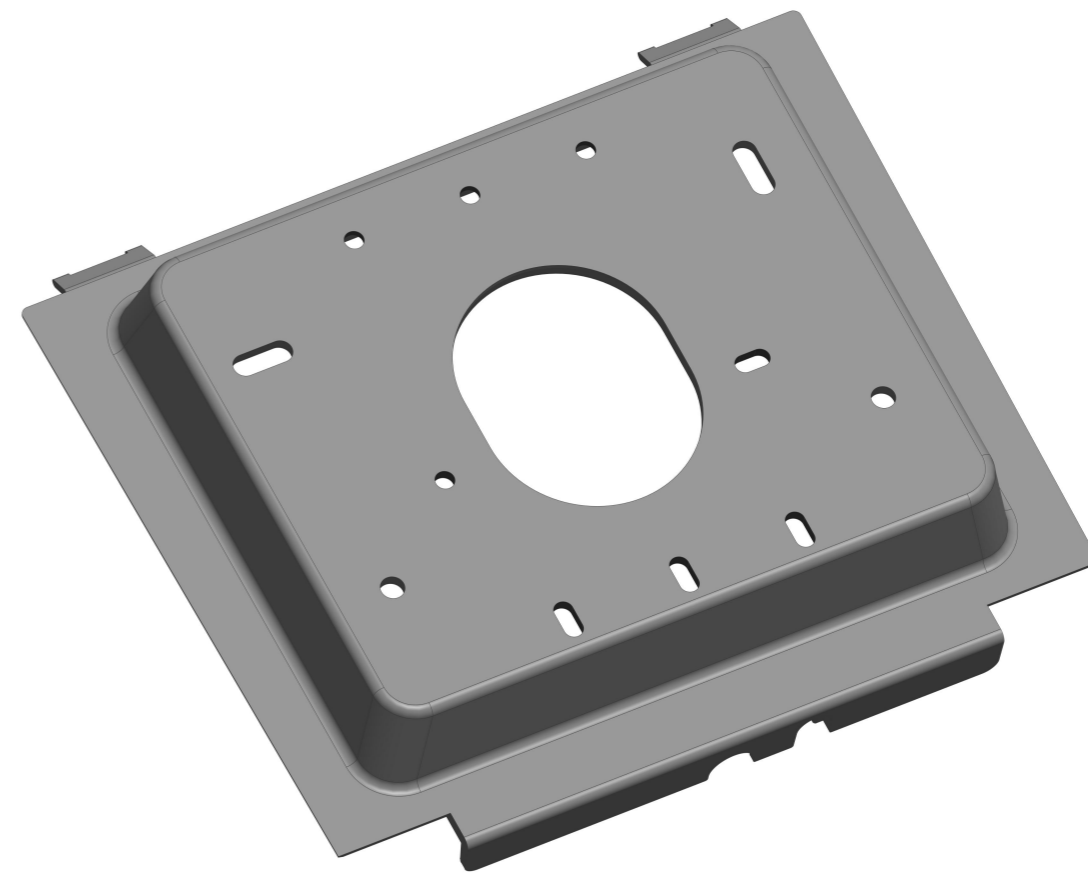
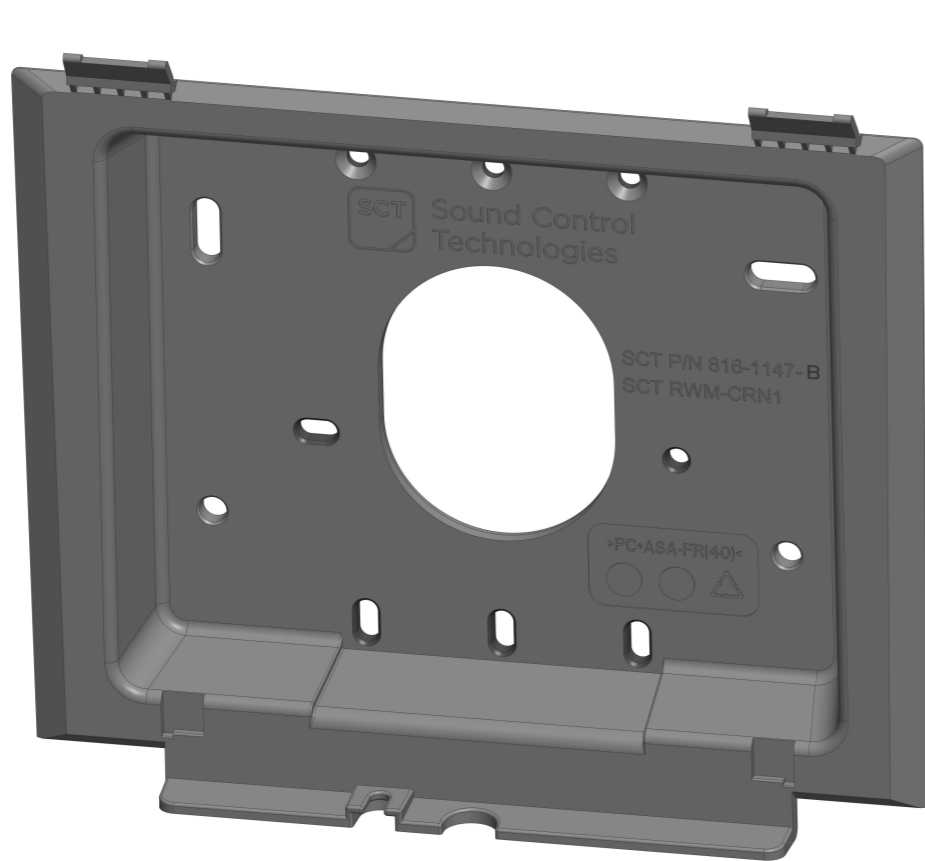


- Note:
1. Not allowed burr and sharp edges
  2. All the round corner not marked in the drawing should be at least R0.5.
  3. Even the dimensions not marked in the 2D drawing, should follow the 3D design and the tolerance.
  4.  $\bigcirc$ ★ means critical dimensions.

PROPRIETARY AND CONFIDENTIAL  
 THE INFORMATION CONTAINED IN THIS  
 DRAWING IS THE SOLE PROPERTY OF  
 SOUND CONTROL TECH.  
 ANY REPRODUCTION IN PART OR AS A  
 WHOLE WITHOUT THE WRITTEN  
 PERMISSION OF SOUND CONTROL TECH  
 IS PROHIBITED.

Tolerance (mm)	NAME	DATE	Sound Control Technologies	
0-30 ±0.1	DRAWN	Ann Chin	TITLE:	
30-120 ±0.15	CHECKED	24/09/18	RWM-CRN1	
120-315 ±0.2	ENG APPR.		SIZE	DWG. NO.
315-1000 ±0.3	MFG APPR.		A3	816-1147
	Q.A.		SCALE: 1:1	REV
	COMMENTS:			B
INTERPRET GEOMETRIC TOLERANCING PER:				SHEET 1 OF
MATERIAL				
PC+ASA-FR(40)				
FINISH				
MT11010				
DO NOT SCALE DRAWING				

REVISIONS			
REV.	DESCRIPTION	DATE	APPROVED
B	enlarge the gang box holes	24/09/18	



- Note:
1. Not allowed burr and sharp edges
  2. All the round corner not marked in the drawing should be at least R0.5.
  3. Even the dimensions not marked in the 2D drawing, should follow the 3D design and the tolerance.
  4.  $\bigcirc$ ★ means critical dimensions.

PROPRIETARY AND CONFIDENTIAL  
 THE INFORMATION CONTAINED IN THIS  
 DRAWING IS THE SOLE PROPERTY OF  
 SOUND CONTROL TECH.  
 ANY REPRODUCTION IN PART OR AS A  
 WHOLE WITHOUT THE WRITTEN  
 PERMISSION OF SOUND CONTROL TECH  
 IS PROHIBITED.

Tolerance (mm)		NAME	DATE	Sound Control Technologies	
0-30	±0.1	DRAWN	Ann Chin	24/09/18	TITLE:  RWM-CRN1
30-120	±0.15	CHECKED			
120-315	±0.2	ENG APPR.			
315-1000	±0.3	MFG APPR.			
INTERPRET GEOMETRIC TOLERANCING PER:		Q.A.			SIZE DWG. NO. ENC-TPMT-CNAV-0 REV A3 816-1147 B
MATERIAL PC+ASA-FR(40)		COMMENTS:			
FINISH MT11010					
DO NOT SCALE DRAWING		SCALE: 1:1			SHEET 1 OF