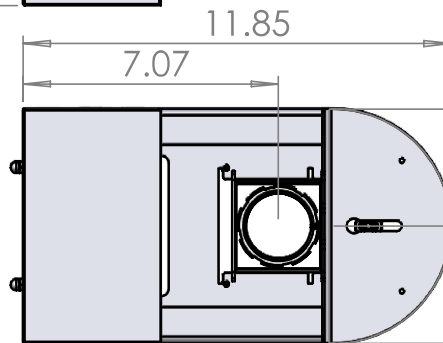
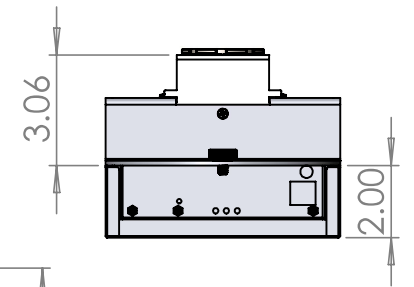
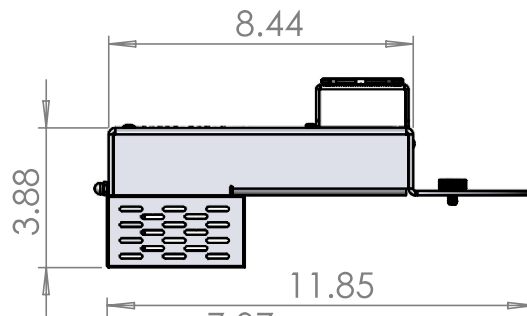
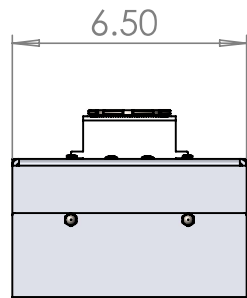
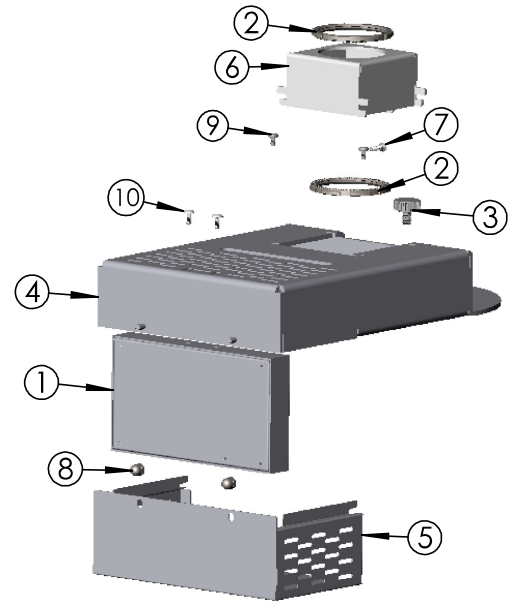
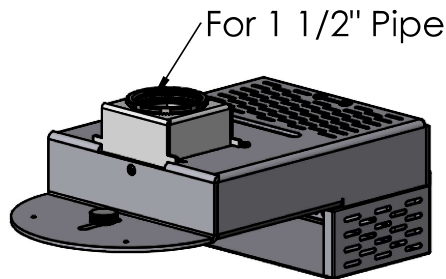
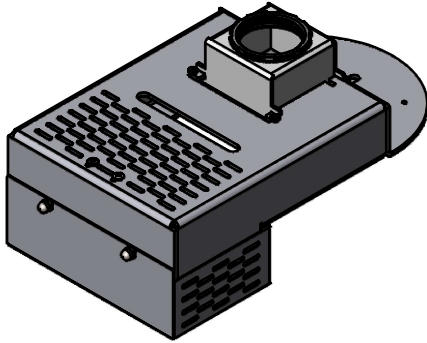


Not Supplied

ITEM NO.	PART NUMBER	DESCRIPTION	QTY.
1	RC5+_TX	"SCT RC5+ Camera Module"	1
2	845-0013	1-1/2 NPSM Zinc-Plated Steel Locknut	2
3	860-0043	Thumb Screw 1/4"-20x3/8",SS	1
4	817-1152	RCP-CW4 Shelf Pole Mount Inverted	1
5	818-1152	RCP-CW4 Cover Inverted Pole Mount	1
6	820-1152	RCP-Inverted Pole Mount Pole Bracket	1
7	860-0058	Machine Screw, 6-32x1/2", Oval Head, Phillips, White	1
8	850-0008	Cap Nut, 8-32, White	2
9	860-0074	Machine Screw Thread-Cutting 6-32x1/4" Pan Head Phillips	2
10	860-0034	Machine Screw 6-32x5/16" Truss Head Phillips White	2



REVISIONS			
REV.	DESCRIPTION	DATE	APPROVED
C	860-0058 WAS 860-0014	1/15/2026	D.L.J

PROPRIETARY AND CONFIDENTIAL
 THE INFORMATION CONTAINED IN THIS DRAWING IS THE SOLE PROPERTY OF Sound Control Tech. ANY REPRODUCTION IN PART OR AS A WHOLE WITHOUT THE WRITTEN PERMISSION OF Sound Control Tech. IS PROHIBITED.

DIMENSIONS ARE IN INCHES
 TOLERANCES:
 FRACTIONAL $\pm 1/32$
 ANGULAR: MACH $\pm .5^\circ$ BEND $\pm 1^\circ$
 TWO PLACE DECIMAL $\pm .02$
 THREE PLACE DECIMAL $\pm .010$

MATERIAL
 .125 AL Main Body
 FINISH
 White
 DO NOT SCALE DRAWING

	NAME	DATE
DRAWN	G.E.G.	7/7/2025
CHECKED		
ENG APPR.		
MFG APPR.		
Q.A.		

SCT Sound Control Technologies
 22 South Smith Street
 Norwalk, CT 06855
 (203) 854-5701
www.soundcontrol.net

RCP-CW4-W Inverted Pole Mount

SIZE **A** DWG. NO. **800-1152-03** REV. **C**
 SCALE: 3:16 FIN-RCP-CW4W-0 SHEET 1 OF 1