

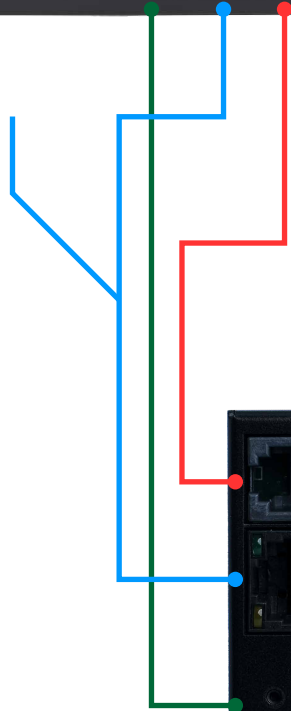
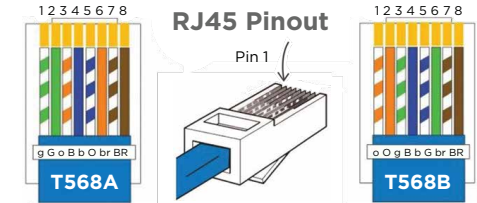


The **RCU3SL-B20™** supports multiple camera models:

- AVer CAM520 Pro, Pro2, & Pro3 (Shown)
- AVer CAM550 & CAM570
- AVer VB130, VB342 Pro, & VB350
- Poly Studio E60

SCTLink™ Cable Specs

Integrator-Supplied CAT6A U/FTP Cable
T568A or T568B (10m-100m min/max Length)

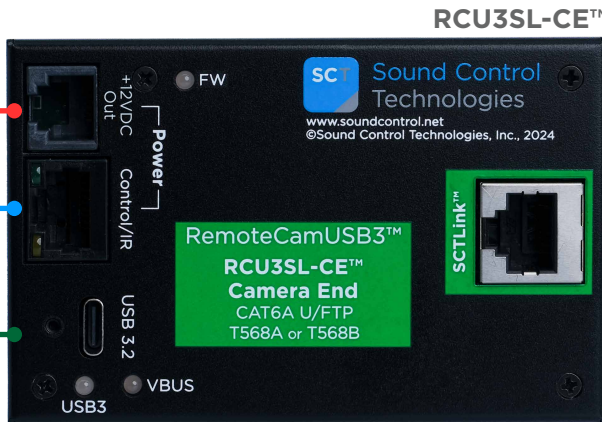


RCC-M018-0.3M
Locking USB-C to USB-B 3.0

PPC-022-0.3M
RJ11 to 5.5mm x 2.1mm DC Plug



RCU3SL-HE™



RCU3SL-CE™

SCTLink™ Cable
Power, Control & Video

WPS-12 30VDC
100-240V 47-63Hz
Power Supply



RCC-M017-1.0M (Included)
Locking USB-C to USB-A 3.0

RCC-M015-1.0M (Optional)
Locking USB-C to USB-C



Room PC

RCC-C005-0.3M
RJ45 to 8-Pin Mini DIN & EIAJ-4 Plug (Unused)

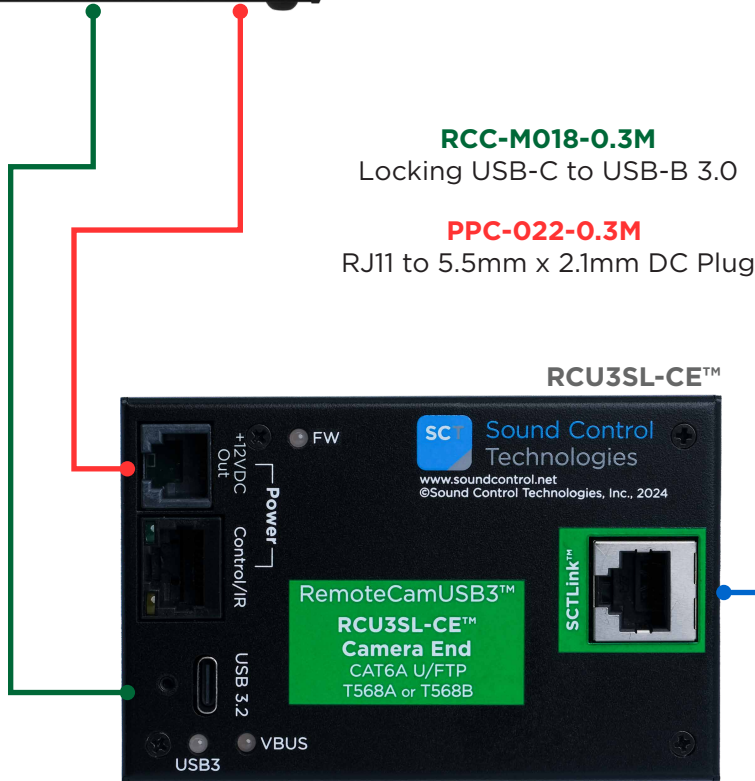
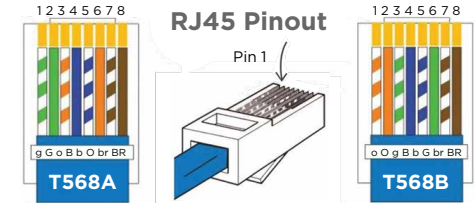


The **RCU3SL-B20™** supports multiple camera models:

- AVer CAM520 Pro, Pro2, & Pro3
- AVer CAM550 & CAM570
- AVer VB130, VB342 Pro, & VB350
- Poly Studio E60 (Shown)

SCTLink™ Cable Specs

Integrator-Supplied CAT6A U/FTP Cable
T568A or T568B (10m-100m min/max Length)



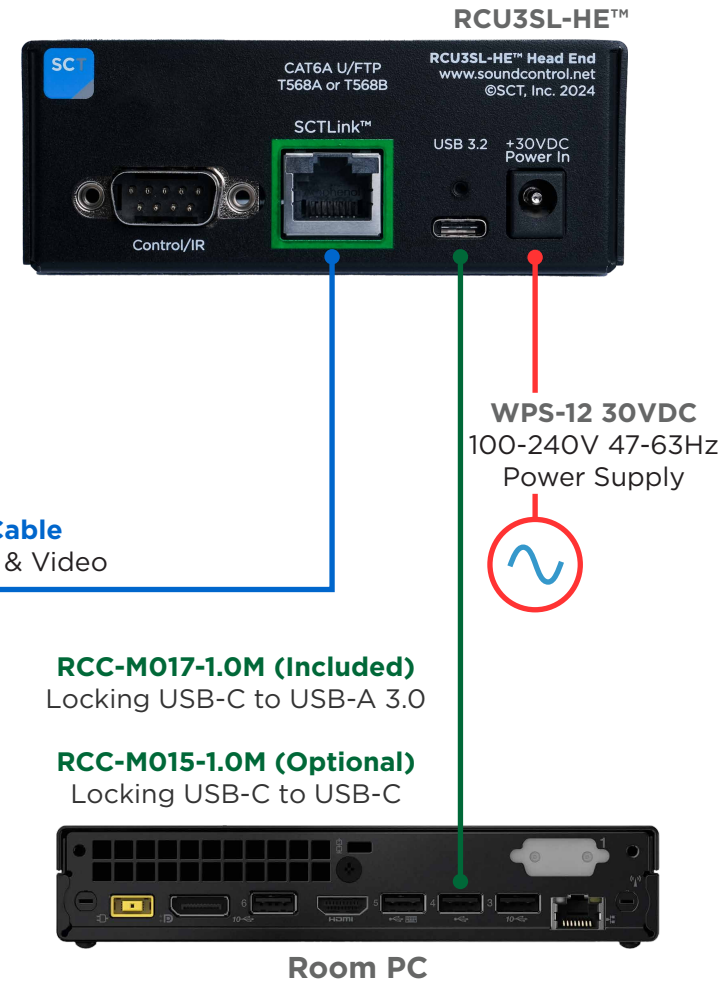
RCC-M018-0.3M

Locking USB-C to USB-B 3.0

PPC-022-0.3M

RJ11 to 5.5mm x 2.1mm DC Plug

RCC-C005-0.3M (Not shown)
RJ45 to 8-Pin Mini DIN & EIAJ-4 Plug (Unused)



RCU3SL-HE™



WPS-12 30VDC
100-240V 47-63Hz
Power Supply

SCTLink™ Cable
Power, Control & Video

RCC-M017-1.0M (Included)
Locking USB-C to USB-A 3.0

RCC-M015-1.0M (Optional)
Locking USB-C to USB-C

Room PC