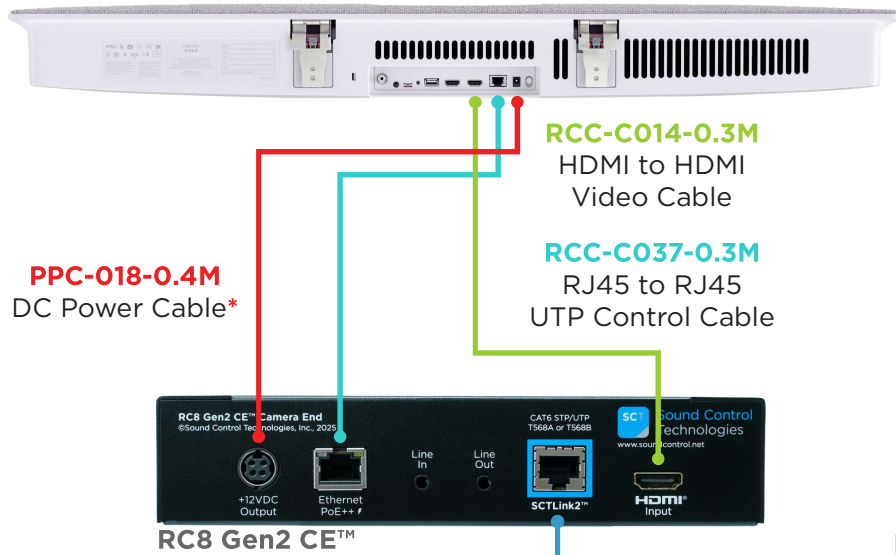


Note: Turn on DIP switch 1 to enable Cisco communications if connecting to codec via RS-232

Cisco Quad Camera



PPC-018-0.4M
DC Power Cable*

RCC-C014-0.3M
HDMI to HDMI
Video Cable

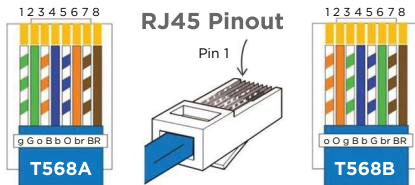
RCC-C037-0.3M
RJ45 to RJ45
UTP Control Cable

RC8 Gen2 CE™

***NOTE:** Quad Camera must be powered by the RC8. Local power supply direct to the camera is not supported.

SCTLink™ Cable Specs

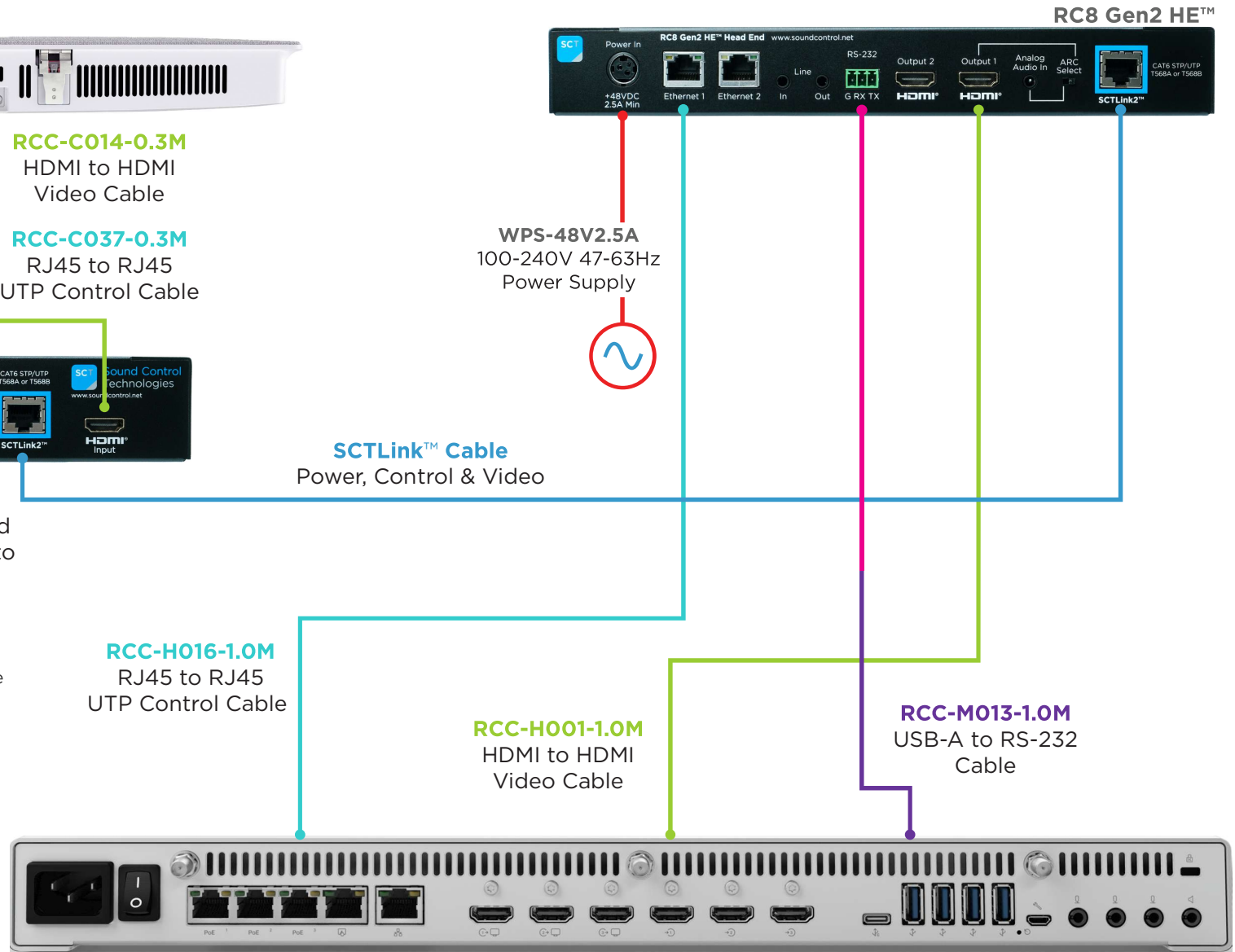
Integrator-Supplied CAT5e/CAT6 STP/UTP Cable T568A or T568B (10m-100m min/max Length)



RCC-H016-1.0M
RJ45 to RJ45
UTP Control Cable

RCC-H001-1.0M
HDMI to HDMI
Video Cable

RCC-M013-1.0M
USB-A to RS-232
Cable



SCTLink™ Cable
Power, Control & Video

WPS-48V2.5A
100-240V 47-63Hz
Power Supply



Cisco Codec Plus, Codec Pro, Codec EQ & Codec Pro G2



RC-RKPA™ Rack Mount System

INCLUDED PART LIST

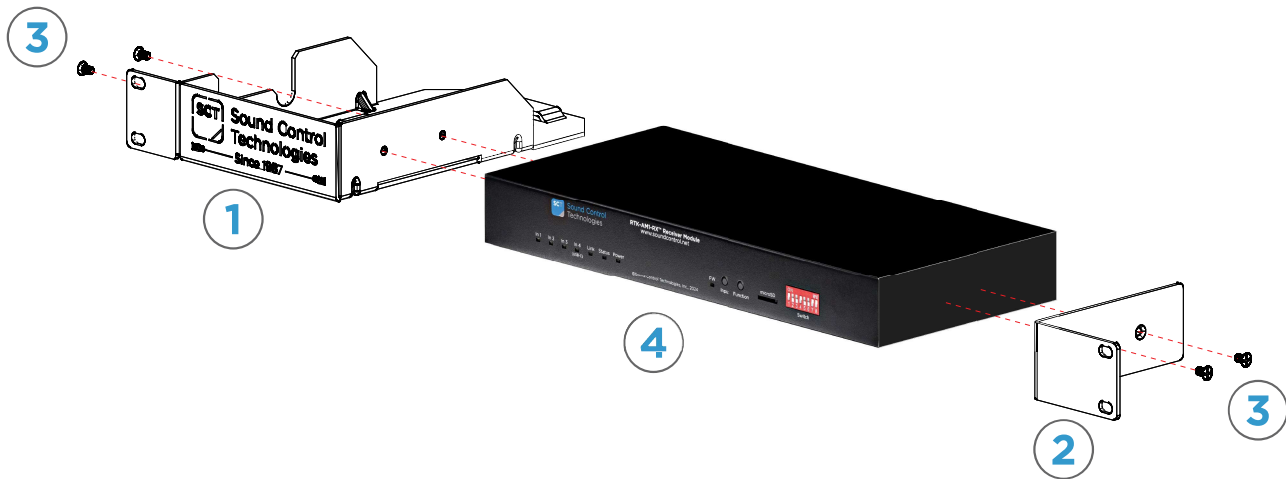
- No. 1** RC-RKPA Power Supply Cradle, 801-1333 (Qty 1)
- No. 2** RC-RKPA L-Bracket, 802-1333 (Qty 1)
- No. 3** 8-32 x 5/16", Phillips Flat Head Screw, 860-0070 (Qty 4)

PARTS NOT INCLUDED

- No. 4** RX Module

ASSEMBLY INSTRUCTIONS

STEP 1: Attach Power Supply Cradle (No. 1, Qty 1) and RC-RKPA L-Bracket (No. 2, Qty 1) to RX Module (No. 4, Qty 1) using 8-32 x 5/16" Phillips Flat Head Screws (No. 3, Qty 4).



STEP 2 (Optional): If mounting to wall, attach RKPA-BRKT Wall Mount L-Bracket using 10/32 x 7/8" Pan Head Screws. Secure to wall with appropriate screws.

