



RCU2S-B2A8™ USB Application Guide

Updated: 02/25/2025

The **RCU2S-B2A8™** supports multiple camera models:

- AVer CAM520 Pro, Pro2, & Pro3
- AVer CAM520 Pro Advanced
- AVer CAM550 & CAM570
- AVer VB342 Pro
- AVer VC520 Pro & Pro2
- 1Beyond AutoFinder & AutoFramer
- Huddlecam HC12X-HUDDLEVIEW
- Huddlecam SIMPLTRACK LITE
- Huddlecam HC20X-SIMPLTRACK2 (shown)



RCU2S-HE™ Front Panel
Field-Upgradeable microSD Slot

RCC-M004-1.0M
USB-B (RCU2S-HE™) to USB-A

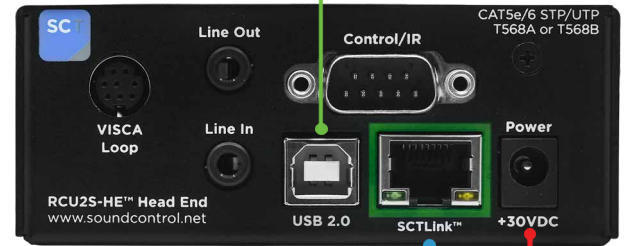


Laptop

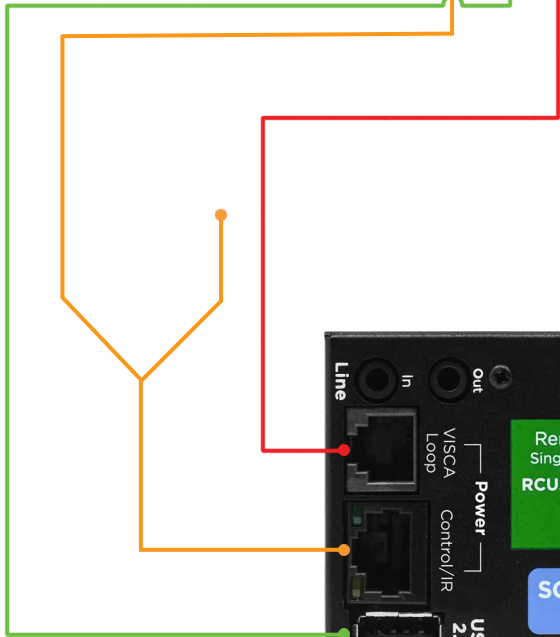
RCC-M004-0.3M
USB-A (RCU2S-CE™) to USB-B

RCC-C005-0.3M
RJ45 (RCU2S-CE™) to 8-Pin Mini to EIAJ-4 Barrel (Unused)

PPC-022-0.3M
RJ11 (RCU2S-CE™) to 5.5mm x 2.1mm Barrel



RCU2S-HE™



RCU2S-CE™

SCTLINK™ Cable
Power, Control & Video
Refer to the RCU2S data sheet for cable specification

WPS-12 30VDC
100-240V 47-63Hz
Power Supply



Module Dimensions

RCU2S-CE™: H: 0.789" (20mm) x W: 2.264" (57mm) x D: 3.725" (94mm)

RCU2S-HE™: H: 1.448" (36mm) x W: 3.814" (96mm) x D: 3.578" (90mm)