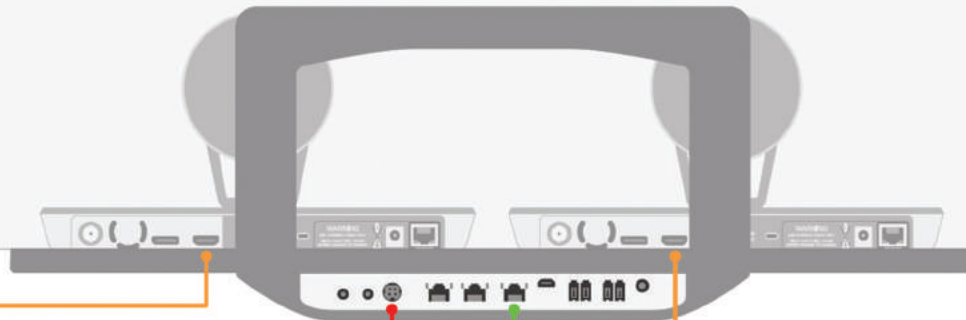


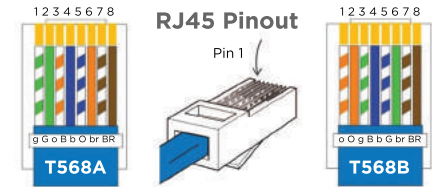
Important: Due to the power demands of Cisco's SpeakerTrack 60, it is best practice to utilize SCT's provided **RC-RKM™** rack shelf to facilitate ventilation.

Cisco SpeakerTrack 60



SCTLink™ Cable Specs

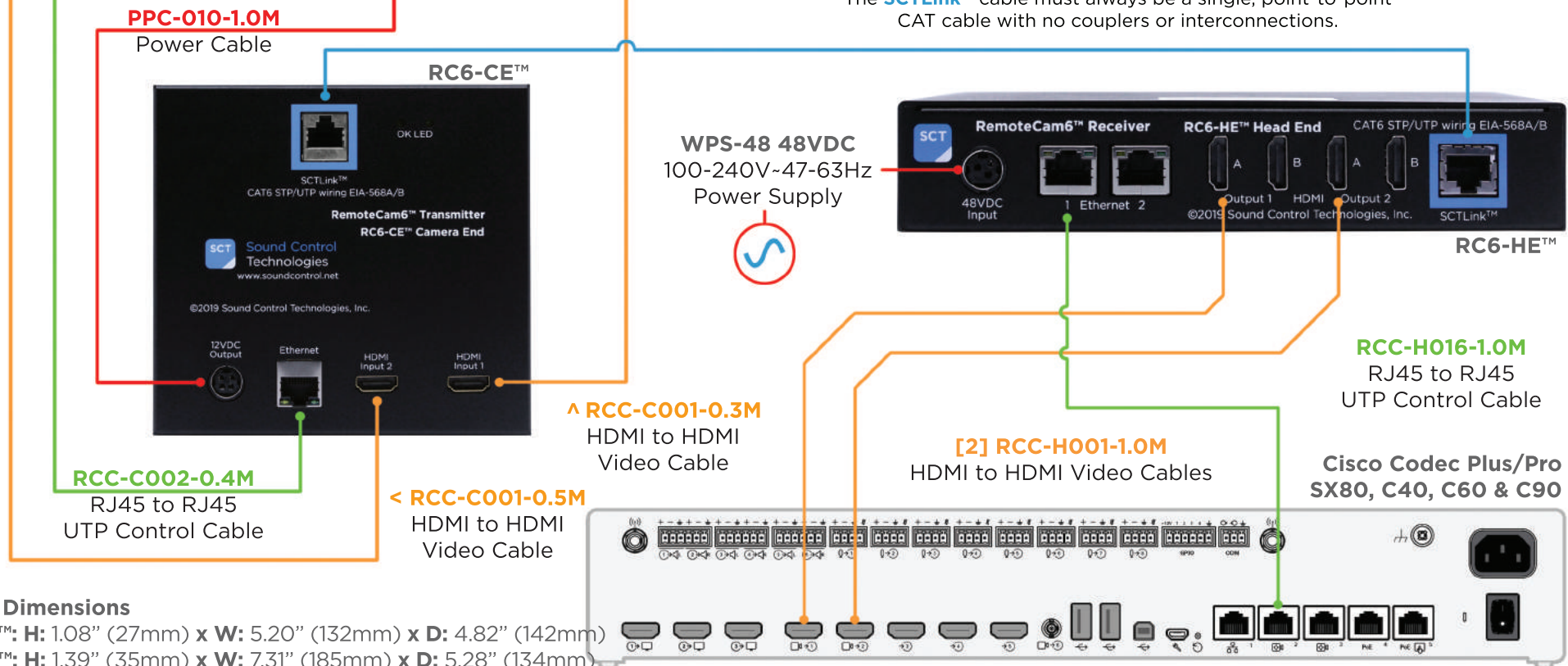
Integrator-Supplied CAT6 STP/UTP Cable
T568A or T568B (10m-100m min/max Length)



SCTLink™ Cable

Power, Control & Dual Video

The **SCTLink™** cable must always be a single, point-to-point CAT cable with no couplers or interconnections.



Module Dimensions

RC6-CE™: H: 1.08" (27mm) x W: 5.20" (132mm) x D: 4.82" (142mm)

RC6-HE™: H: 1.39" (35mm) x W: 7.31" (185mm) x D: 5.28" (134mm)



Supporting the Cisco SpeakerTrack 60,
Cisco Codec Plus, Codec Pro, SX80, C40, C60 & C90

TEST YOUR SCTLINK™ CABLE

We highly recommend using an Ethernet Network Tester/Analyzer alongside our provided PowerSniffer to confirm your SCTLINK™ wiring. Our PowerSniffer only tests conductor continuity and will not identify data integrity or capacity issues.

1. Test and verify your CAT6 STP or FUTP SCTLINK™ cable for T568A or T568B. The SCTLINK™ cable must be between 10m (minimum) and 100m (maximum) length.
2. Connect one end of the SCTLINK™ cable to the "SCTLINK™" connection on the Head End module.
3. Connect the other end of your SCTLINK™ cable to the provided PowerSniffer.
4. Connect the WPS-48 power supply to the Head End module.
5. Connect the WPS-48 power supply to AC mains.
6. If the SCTLINK™ cable is properly terminated, it will display eight GREEN LEDs. If you get any other result, **stop and re-terminate cable**.
7. Once your SCTLINK™ cable has been tested, please disconnect the WPS-48 power supply from the RC6-HE module, and the PowerSniffer from the SCTLINK™ cable, before proceeding to install.

INSTALL THE EXTENSION KIT

Before integrating your RC6-CST-KC™ kit, please ensure your Cisco SpeakerTrack base is connected to your two Cisco Precision 60 cameras (Power and Ethernet connections) via Cisco's instructions.

Connect the camera-end cables:

1. Connect the RCC-C001-0.3M video cable between the RC6-CE's HDMI connector labeled "HDMI INPUT 1" and the first camera's HDMI connector.
2. Connect the RCC-C001-0.5M video cable between the RC6-CE's HDMI connector labeled "HDMI INPUT 2" and the second camera's HDMI connector.
3. Connect the RCC-C002-0.4M control cable between the RC6-CE's RJ45 connector labeled "Ethernet" and the SpeakerTrack's rightmost RJ45 connector.
4. Connect the PPC-010-1.0M power cable between the RC6-CE's power output labeled "+12VDC Output" and the SpeakerTrack's power input.

Connect the codec-end cables:

5. Connect the second RCC-H016-1.0M cable between the Cisco supported codec's RJ45 control connector and the RC6-HE's RJ45 connector labeled 'Ethernet 1'.
6. Connect the first RCC-H001-1.0M cable between the codec's HDMI connector and one of the two HDMI outputs labeled "HDMI OUT 1".
7. Connect the second RCC-H001-1.0M cable between the codec's second HDMI connector and one of the two RC6-HE's HDMI connectors labeled "HDMI OUT 2".
8. Connect one end of your SCTLINK™ cable to the RC6-HE module's "SCTLINK™" port. Connect the other end to the RC6-CE module's "SCTLINK™" port.
9. Connect the WPS-48 Power Supply to the "48VDC Input" jack on the RC6-HE Module.

• ALLOW UP TO TWO MINUTES FOR THE SPEAKERTRACK SYSTEM TO INITIALIZE •

Installation Status - Refer to our modules' LEDs for installation status.

For assistance troubleshooting INACTIVE LED statuses, please contact Tech Support at 203-854-5701.

MODULE	LED LABEL	ACTIVE STATUS
RC6-CE	OK LED	Blinking Green (-1 second interval)
RC6-HE	OK LED	Blinking Green (-1 second interval)
RC6-HE	LINK LED	Solid Blue
RC6-HE	HDCP LED	Blinking Green (-0.5 second interval)

Cable Table - Part numbers, descriptions and functions of all SCT cables provided. The RC6-CST-KC™ kit includes [1] RC-RKM™ Rack Shelf + [1] RC-CUBBY-ST6™ Camera Mount.

CABLE	DESCRIPTION	FUNCTION
RCC-C001-0.3M	HDMI Cable	Video connection between first camera and RC6-CE.
RCC-C001-0.5M	HDMI Cable	Video connection between second camera and RC6-CE.
RCC-C002-0.4M	RJ45 to RJ45	Control connection between SpeakerTrack and RC6-CE.
PPC-010-1.0M	Power Cable	Supplies power from RC6-CE to SpeakerTrack base.
RCC-H001-1.0M (x2)	HDMI Cables	Dual-video connection between RC6-HE and codec.
RCC-H016-1.0M	RJ45 to RJ45	Control connection between RC6-HE and codec.

Power Supply Specifications (AC-Mains Side): Input Voltage: 100VAC to 240VAC 47Hz to 63Hz. Efficiency: 85% minimum. Turn-on Surge: Less than 60 amperes for a duration less than 1mS. Power Factor: 0.9 minimum (where applicable). 48VDC power supply uses 2.80 amperes AC maximum. All specifications subject to change without notice.