

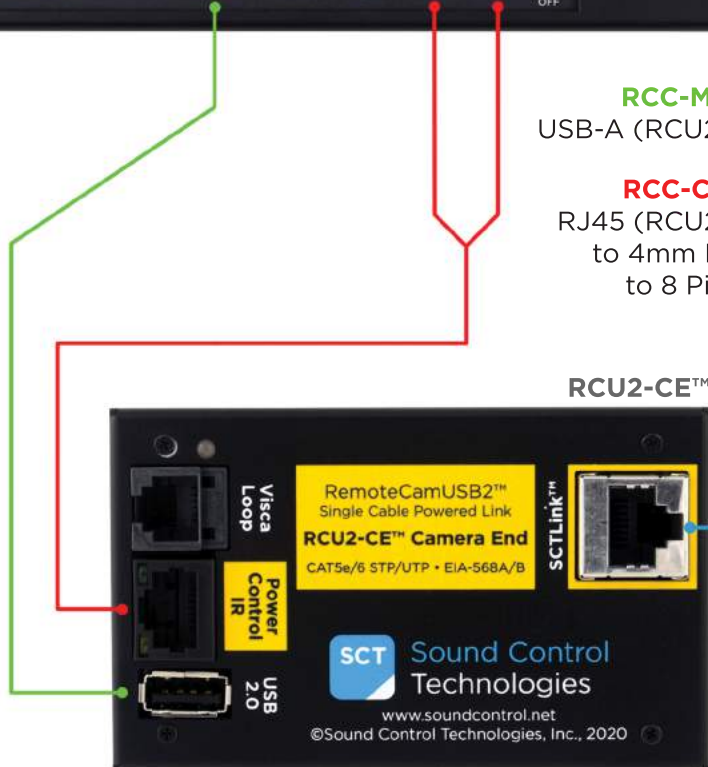


The **RCU2-AA8™** supports multiple camera models:

- Atlona HDVS-CAM
- Atlona HDVS-CAM-HDMI
- Lumens VC-TR1
- Minnray UV401A
- Minnray UV570
- Minnray UV540
- VHD V60UL/V61UL/V63UL
- VHD V60CL/V61CL/V63CL



Shown: **Lumens VC-TR1**



**RCC-M003-0.3M**

USB-A (RCU2-CE™) to USB-A

**RCC-C005-0.3M**

RJ45 (RCU2-CE™) Y Cable to 4mm Power Barrel to 8 Pin Mini Din

**RCC-H010-1.0M** or **RCC-H013-1.0M** Control Cable  
*\* Purchased Separately \**

**RCC-M004-1.0M**

USB-B (RCU2-HE™) to USB-A



Laptop



RCU2-HE™

Generic Controller

**SCTLINK™ Cable**

Power, Control & Video

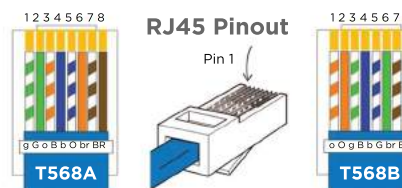
The **SCTLINK™** cable must always be a single, point-to-point CAT cable with no couplers or interconnections.

**WPS-12 30VDC**  
100-240V 47-63Hz  
Power Supply



**SCTLINK™ Cable Specs**

Integrator-Supplied CAT5e/CAT6 STP/UTP Cable  
T568A or T568B (100m Max Length)



### Module Dimensions

RCU2-CE™: H: 0.789" (20mm) x W: 2.264" (57mm) x D: 3.725" (94mm)

RCU2-HE™: H: 1.448" (36mm) x W: 3.814" (96mm) x D: 3.578" (90mm)