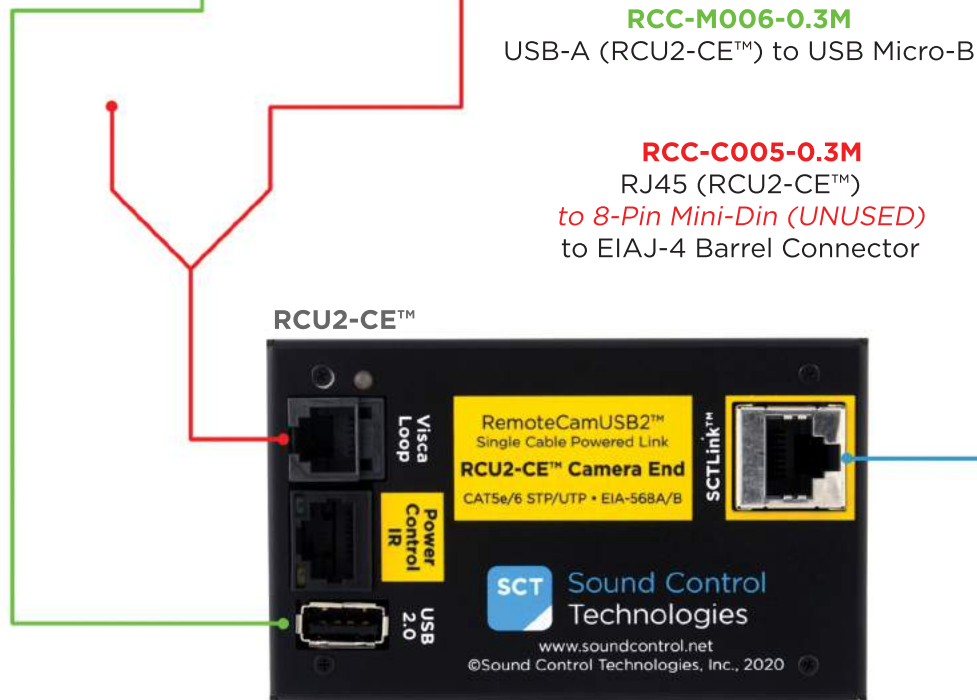




AVer CAM520, CAM530, PTZ310 & PTZ330



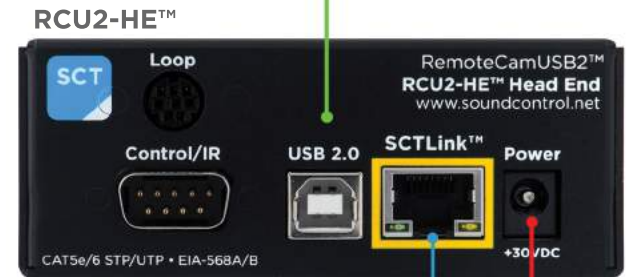
Module Dimensions

RCU2-CE™: H: 0.789" (20mm) x W: 2.264" (57mm) x D: 3.725" (94mm)
RCU2-HE™: H: 1.448" (36mm) x W: 3.814" (96mm) x D: 3.578" (90mm)

RCC-M004-1.0M
USB-B (RCU2-HE™) to USB-A



Laptop



SCTLink™ Cable
Power, Control & Video

The **SCTLink™** cable must always be a single, point-to-point CAT cable with no couplers or interconnections.

WPS-12 30VDC
100-240V 47-63Hz
Power Supply

SCTLink™ Cable Specs

Integrator-Supplied CAT5e/CAT6 STP/UTP Cable
T568A or T568B (100m Max Length)

