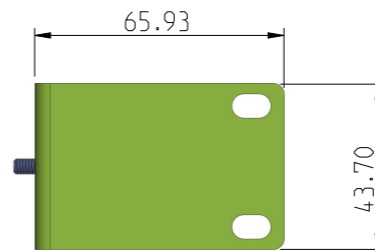
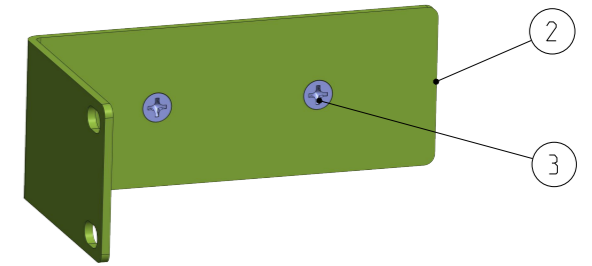
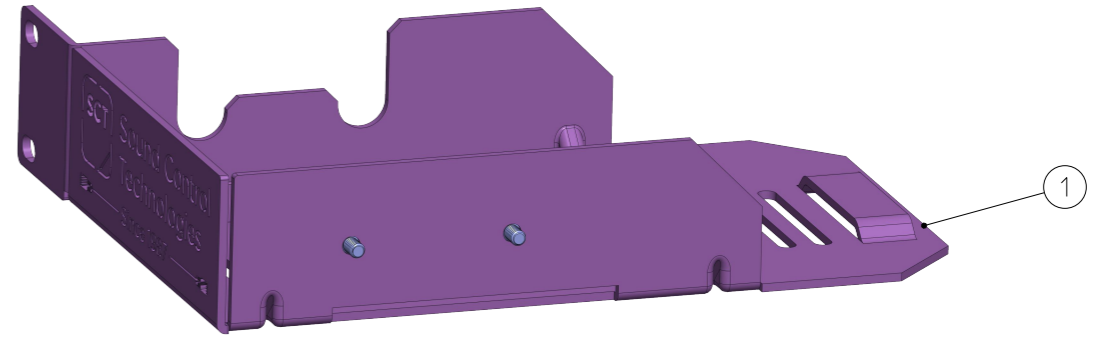
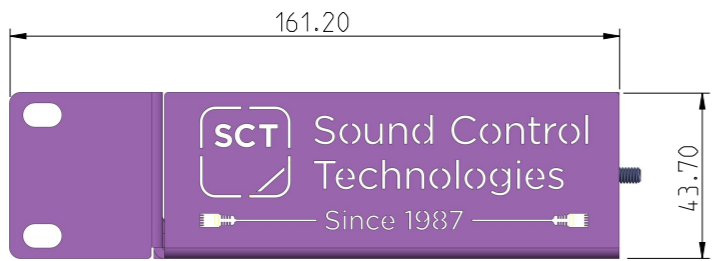
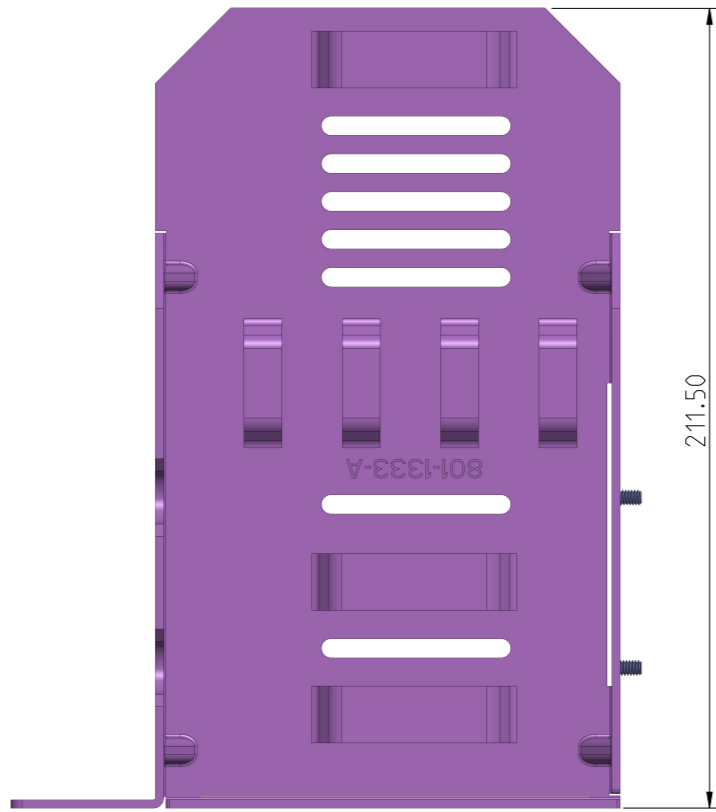


REVISIONS			
REV.	DESCRIPTION	DATE	APPROVED



ITEM	PART NUMBER	DESCRIPTION	QTY
1	801-1333	Power Supply Cradle	1
2	802-1333	Rack Mount L-Bracket, 2.6"	1
3	860-0070	8-32x5/16", Flat Head, Phillips, Blk Ox	4

Tolerance (mm)	NAME	DATE	Sound Control Technologies						
0-30 ±0.1	DRAWN	Ann Chin 24/08/08							
30-120 ±0.15	CHECKED								
120-315 ±0.2	ENG APPR.								
315-1000 ±0.3	MFG APPR.								
INTERPRET GEOMETRIC TOLERANCING PER:			TITLE: RC-RKPA						
MATERIAL									
FINISH									
DO NOT SCALE DRAWING			<table border="1"> <tr> <td>SIZE</td> <td>DWG. NO.</td> <td>REV</td> </tr> <tr> <td>A3</td> <td>800-1333</td> <td>A</td> </tr> </table>	SIZE	DWG. NO.	REV	A3	800-1333	A
SIZE	DWG. NO.	REV							
A3	800-1333	A							
PROPRIETARY AND CONFIDENTIAL THE INFORMATION CONTAINED IN THIS DRAWING IS THE SOLE PROPERTY OF SOUND CONTROL TECH. ANY REPRODUCTION IN PART OR AS A WHOLE WITHOUT THE WRITTEN PERMISSION OF SOUND CONTROL TECH IS PROHIBITED.			<table border="1"> <tr> <td>SCALE: 1:1</td> <td>SHEET 1 OF</td> </tr> </table>	SCALE: 1:1	SHEET 1 OF				
SCALE: 1:1	SHEET 1 OF								