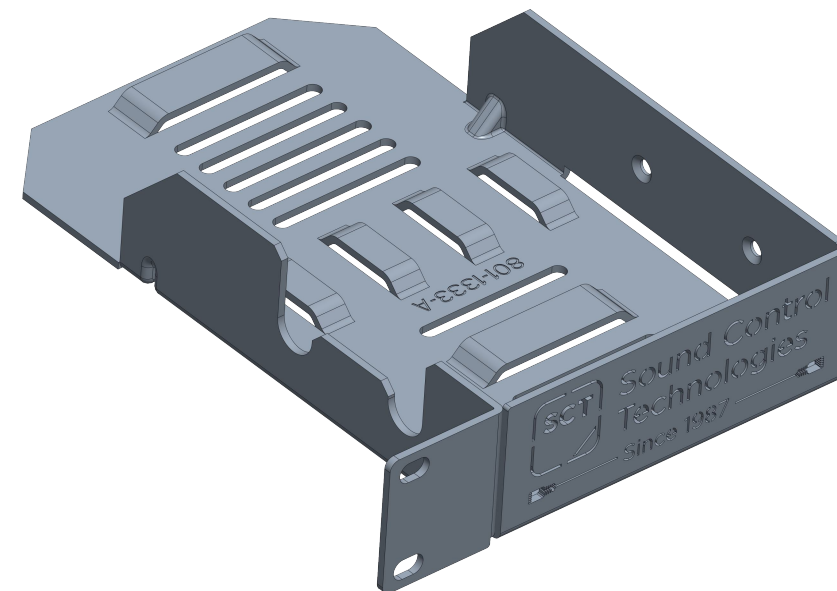
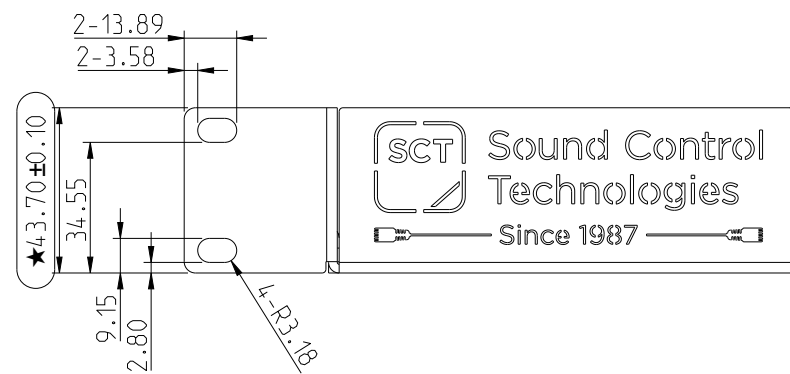
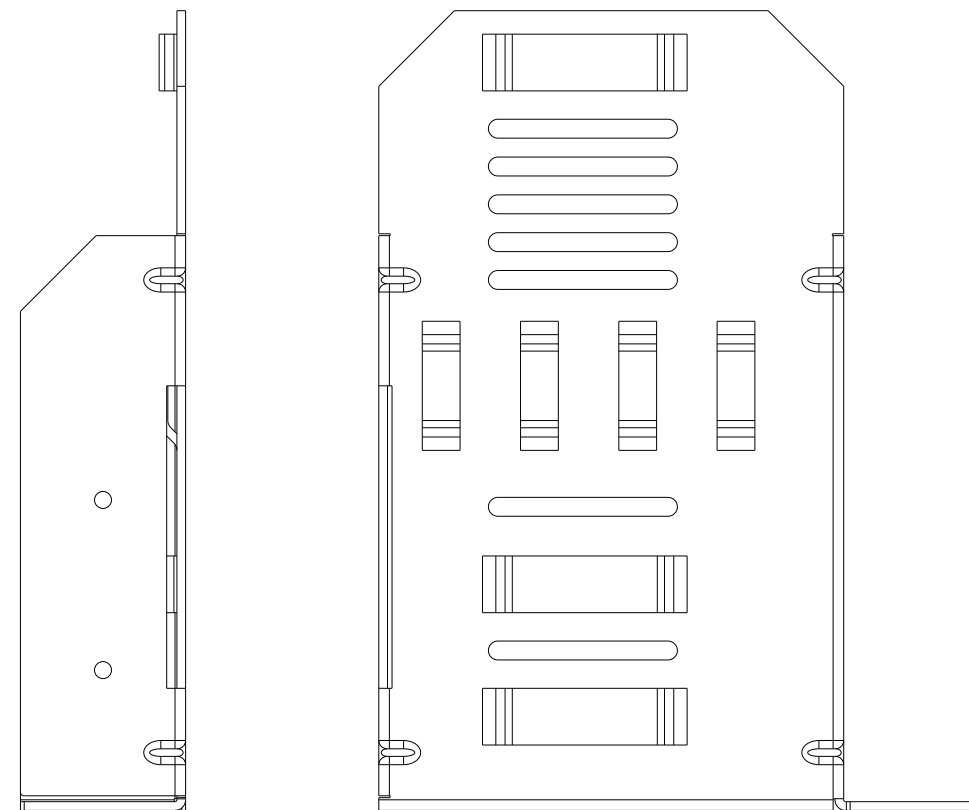
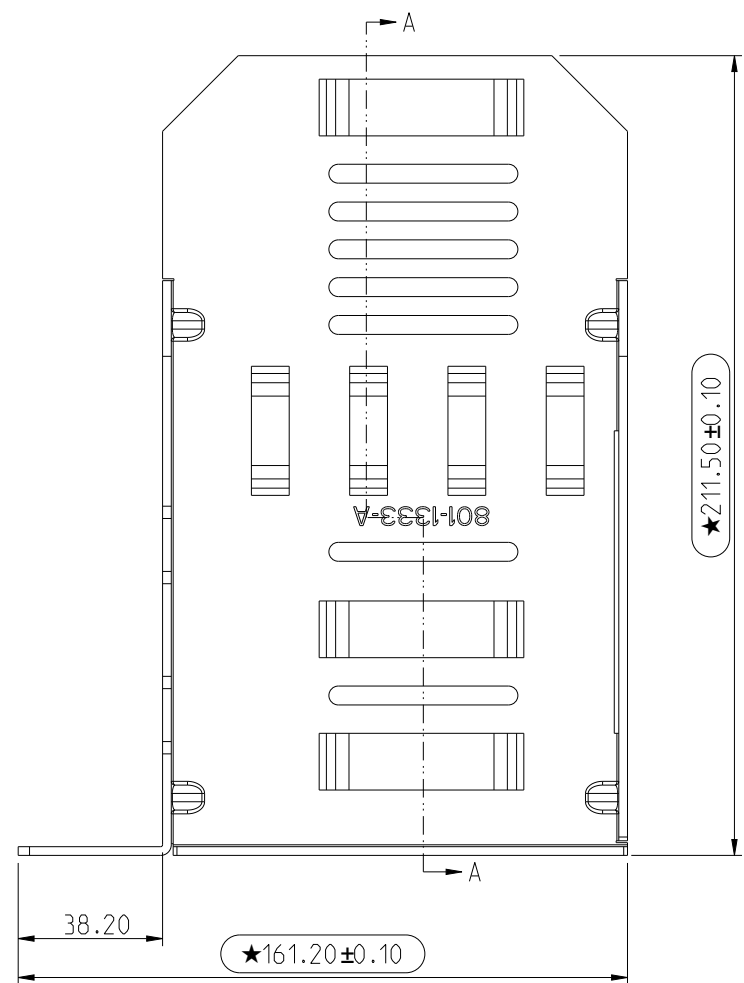
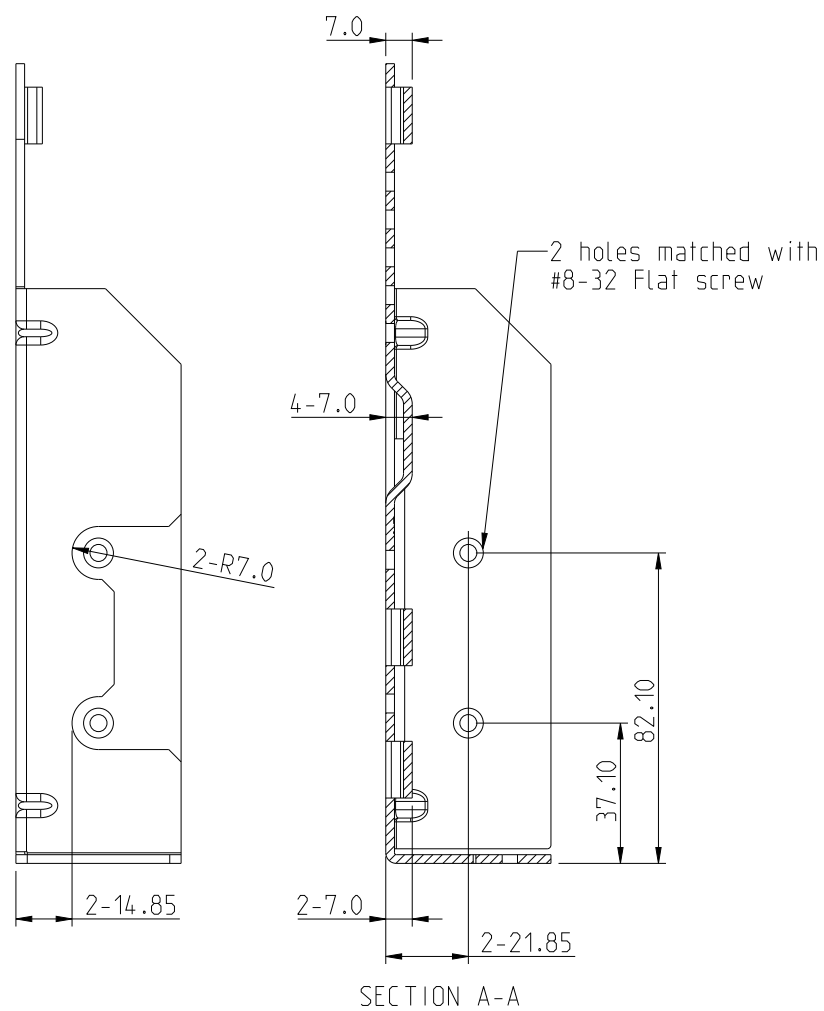


REVISIONS			
REV.	DESCRIPTION	DATE	APPROVED



- Note:
1. Not allowed burr and sharp edges
 2. All the round corner not marked in the drawing should be at least R0.5.
 3. Even the dimensions not marked in the 2D drawing, should follow the 3D design and the tolerance.
 4. \bigcirc ★ means critical dimensions.

PROPRIETARY AND CONFIDENTIAL
 THE INFORMATION CONTAINED IN THIS
 DRAWING IS THE SOLE PROPERTY OF
 SOUND CONTROL TECH.
 ANY REPRODUCTION IN PART OR AS A
 WHOLE WITHOUT THE WRITTEN
 PERMISSION OF SOUND CONTROL TECH
 IS PROHIBITED.

Tolerance (mm)	
0-30	±0.1
30-120	±0.15
120-315	±0.2
315-1000	±0.3

	NAME	DATE
DRAWN	Ann Chin	24/08/08
CHECKED		
ENG APPR.		
MFG APPR.		
Q.A.		
COMMENTS:		

Sound Control Technologies		
TITLE:		
Universal Rack Mount Power Supply Cradle		
SIZE	DWG. NO. ENC-RKPA-0001-0	REV
A3	801-1333	A
SCALE: 1:1		SHEET 1 OF