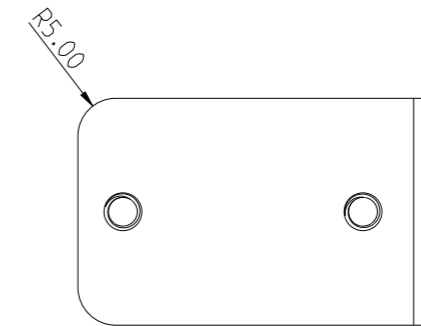
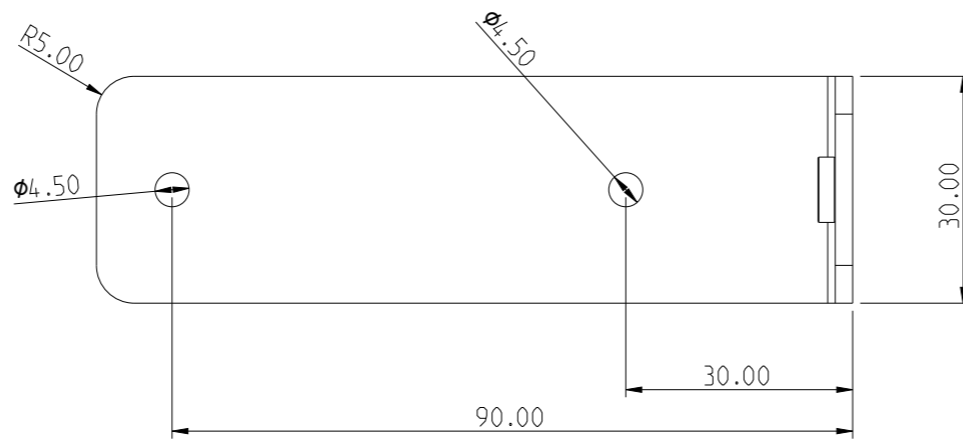
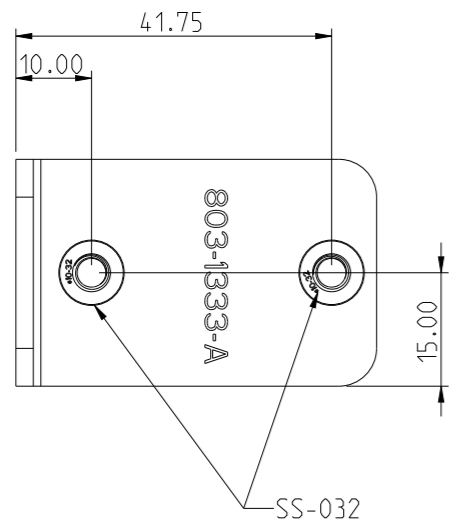
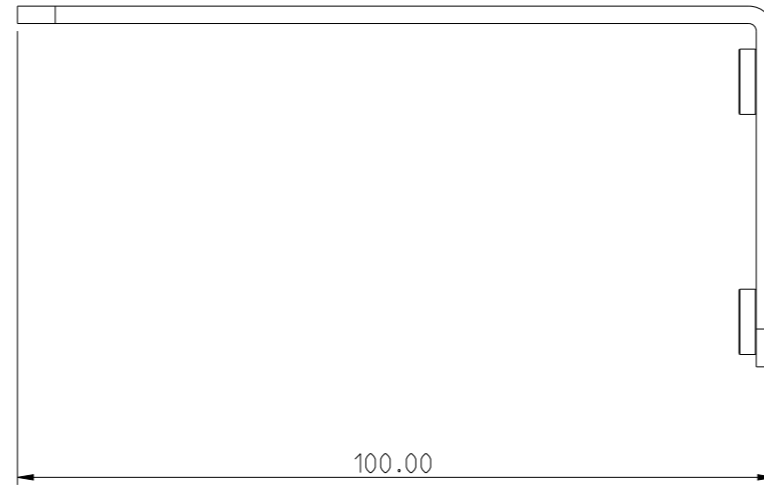
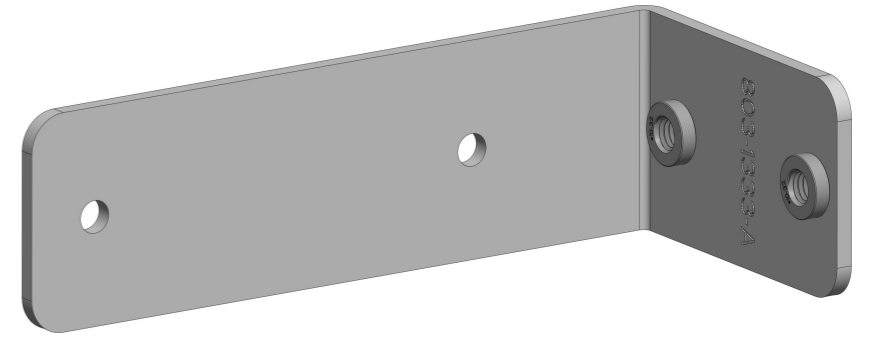


REVISIONS			
REV.	DESCRIPTION	DATE	APPROVED



- Note:
1. Not allowed burr and sharp edges
  2. All the round corner not marked in the drawing should be at least R0.5.
  3. Even the dimensions not marked in the 2D drawing, should follow the 3D design and the tolerance.
  4.  $\phi \star$  means critical dimensions.

Tolerance (mm)	NAME	DATE	Sound Control Technologies	
0-30 $\pm 0.1$	DRAWN	Ann Chin	24/11/01	TITLE: Rack to Wall Mount L-Bracket
30-120 $\pm 0.15$	CHECKED			
120-315 $\pm 0.2$	ENG APPR.			
315-1000 $\pm 0.3$	MFG APPR.			
INTERPRET GEOMETRIC TOLERANCING PER:	Q.A.			SIZE DWG. NO. ENC-RKPA-0003-0 REV A3 803-1333 A
MATERIAL SGCC 2.3t	COMMENTS:			
FINISH Powder coat Black				
DO NOT SCALE DRAWING				SCALE: 1:1 SHEET 1 OF

PROPRIETARY AND CONFIDENTIAL  
 THE INFORMATION CONTAINED IN THIS  
 DRAWING IS THE SOLE PROPERTY OF  
 SOUND CONTROL TECH.  
 ANY REPRODUCTION IN PART OR AS A  
 WHOLE WITHOUT THE WRITTEN  
 PERMISSION OF SOUND CONTROL TECH  
 IS PROHIBITED.